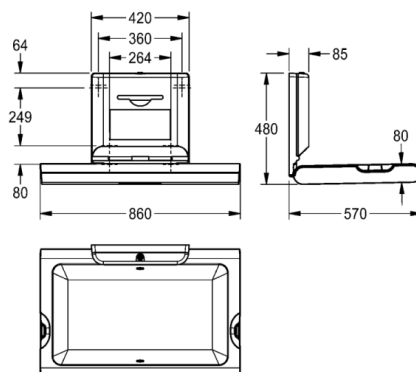


CAMBRINO horizontal baby changing table

MODEL RANGE: CAMBRINO | CAMB11HS | 204.0580.888

Baby changing tables | Baby change units



CAMBRINO horizontal baby changing table for wall mounting, made of polypropylene with antibacterial Biocote® protection, white colour, front panel made of stainless steel, hinged, with integrated shock absorber for safe opening and closing, nylon safety belt and hooks on both sides, lockable dispenser for single-use paper covers in Interfold folding with maximum width 260 mm. Certified according to EN 12221-1 and EN 12221-2. Including mounting material and 80 single-use paper covers.

Dimensions when closed 860 x 565 x 100 mm (W x H x D)

Dimensions when open 860 x 480 x 570 mm (W x H x D)

Technical data

| | |
|------------------|---------------|
| Overall depth | 100.00 mm |
| Overall height | 565.00 mm |
| Overall width | 860.00 mm |
| Material | Synthetic |
| Tailor made | No |
| Type of mounting | Wall mounting |
| Hinged | Yes |
| Surface material | SYNTHETIC |
| Product code | 204.0580.888 |