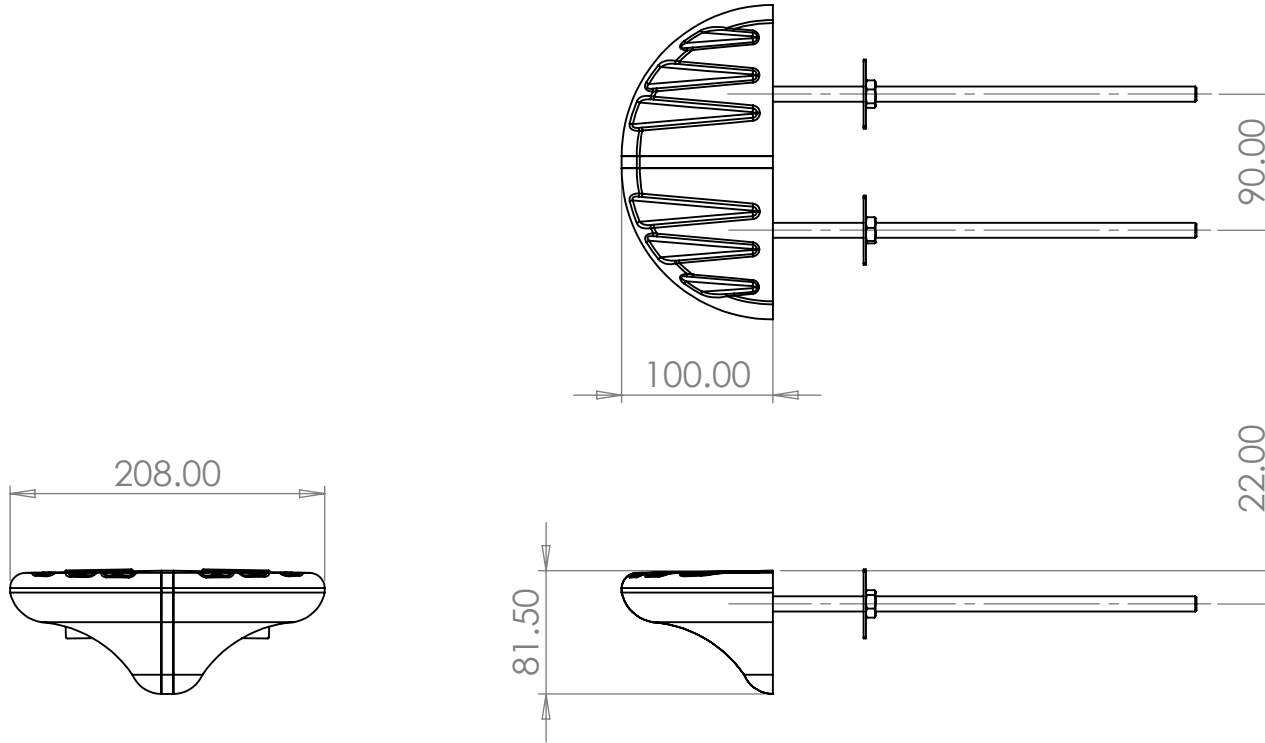
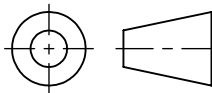


DO NOT SCALE DRAWING - IF IN DOUBT ASK !



**BOXED DIMENSIONS
ARE CRITICAL**

ALL DIMENSIONS IN MM
UNLESS OTHERWISE STATED



DVS © 2012

GENERAL LIMITS

X	± 0.5
X.X	± 0.25
X.XX	± 0.10
X.XXX	± 0.02
ANGLES	± 1/60 °

This Drawing/Information Sheet is the property of Dart Valley Systems Ltd and must be treated in confidence. The Company reserves all rights to the information or articles portrayed which may not be used, reproduced, loaned, copied or shown to third parties without the consent of Dart Valley Systems Ltd. Dart Valley Systems Ltd reserve the right to change the content and specification of this drawing without notice.

MATERIAL.	GRP
FINISH.	GLOSS
COLOUR.	WHITE

DRAWN.	C.H
DATE.	19/03/2021
CHECKED.	-
DATE.	-/-/2015
APPROVED.	-
DATE.	-/-/2015

TITLE.	SAFE ENSUITE SOAP DISH
SCALE.	AS STATED
SHEET.	1 OF 1
DRAWING No.	VR01-109 / 1

SIZE.
A4



1.	PRODUCTION ISSUE	//2015
REVISION	ALTERATION / ECN NUMBER	DATE