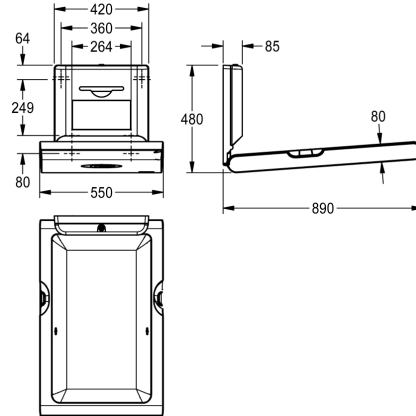


KWC

CAMBRINO vertical baby changing table

Model line: CAMBRINO | **CAMB22VS**



CAMB22VS

Vertical baby changing table

CAMBRINO vertical baby changing table for wall mounting, made of polypropylene with antibacterial Biocote® protection, white colour, front panel made of stainless steel, hinged, with integrated shock absorber for safe opening and closing, nylon safety belt and hooks on both sides, lockable dispenser for single-use paper covers in Interfold folding with maximum width 260 mm. Certified according to EN 12221-1 and EN 12221-2. Including mounting material and 80 single-use paper covers.

Dimensions when closed 550 x 890 x 100 mm (W x H x D)
Dimensions when open 550 x 480 x 890 mm (W x H x D)

Technical data

Overall depth	100mm
Overall height	890mm
Overall width	550mm
Material	Synthetic
Tailor made	No
Type of mounting	Wall mounting
Hinged	Yes
Surface material	Synthetic