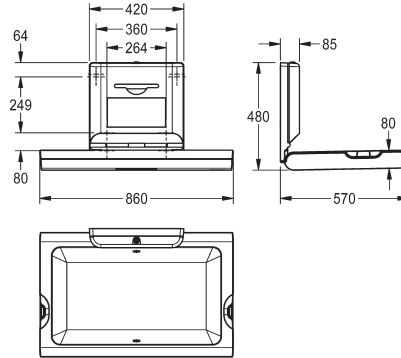


## KWC

### CAMBRINO Horizontal baby changing table

Model line: CAMBRINO | **CAMB10HP**



#### **CAMB10HP**

Horizontal baby changing table

CAMBRINO horizontal baby changing table for wall mounting, made of polypropylene with antibacterial Biocote® protection, white colour, hinged, with integrated shock absorber for safe opening and closing, nylon safety belt and hooks on both sides, lockable dispenser for single-use paper covers in Interfold folding with maximum width 260 mm. Certified according to EN 12221-1 and EN 12221-2.

Including mounting material and 80 single-use paper covers.  
Dimensions when closed 860 x 565 x 100 mm (W x H x D)  
Dimensions when open 860 x 480 x 570 mm (W x H x D)

#### **Technical data**

|                       |               |
|-----------------------|---------------|
| Hinged                | Yes           |
| Material              | Synthetic     |
| Maximum load capacity | 50 KGM        |
| Overall depth         | 100mm         |
| Overall height        | 565mm         |
| Overall width         | 860mm         |
| Surface material      | Synthetic     |
| Tailor made           | No            |
| Type of mounting      | Wall mounting |

#### **Consumables**



#### **Consumables**

##### **ECAMB001**

Single-use paper covers