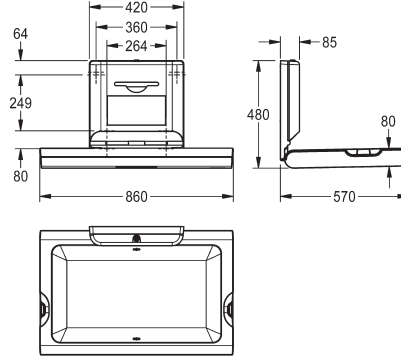


CAMBRINO Horizontal baby changing table

Model line: CAMBRINO | **CAMB10HP**



CAMB10HP

Horizontal baby changing table

CAMBRINO horizontal baby changing table for wall mounting, made of polypropylene with antibacterial Biocote® protection, white colour, hinged, with integrated shock absorber for safe opening and closing, nylon safety belt and hooks on both sides, lockable dispenser for single-use paper covers in Interfold folding with maximum width 260 mm. Certified according to EN 12221-1 and EN 12221-2.

Including mounting material and 80 single-use paper covers.
Dimensions when closed 860 x 565 x 100 mm (W x H x D)
Dimensions when open 860 x 480 x 570 mm (W x H x D)

Technical data

Hinged	Yes
Material	Synthetic
Maximum load capacity	50 KGM
Overall depth	100mm
Overall height	565mm
Overall width	860mm
Surface material	Synthetic
Tailor made	No
Type of mounting	Wall mounting

Consumables



Consumables

ECAMB001
Single-use paper covers