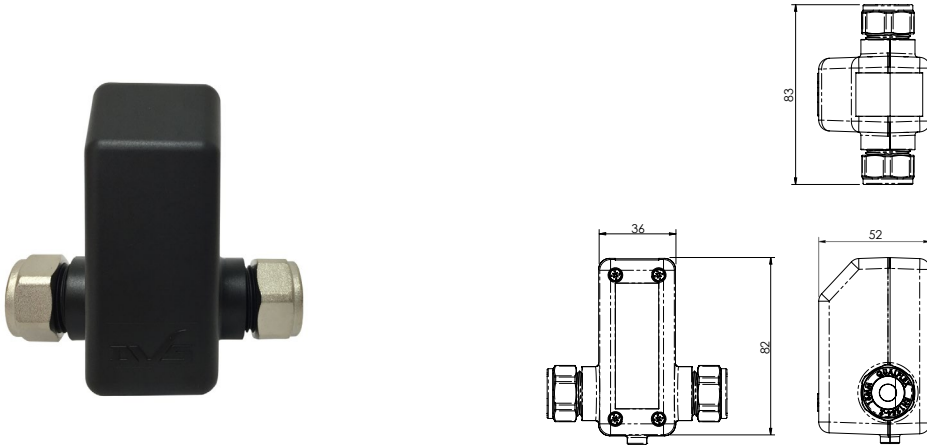


## 12V DC Anti-microbial valve



### AC17-101

12V DC Anti-microbial valve

12 Volt DC Normally Closed servo valve with all wetted parts being anti-microbial Biomaster protected. Compression fittings for 15mm pipe.

### Technical data (shower head)

Gross weight	0.2kg
Material	Plastic with Biomaster protection
Seal material	Silicone with Biomaster protection
Voltage	12V DC
Power	2.3W
Working temperature range	0°C to 90°C
Max. working pressure	10 bar: static
Min. working pressure	1 bar
Connection	15mm compression fitting
Latching pulse	3 min ON, 5 min OFF
Pressure rating	10 bar
Operation type	Normally closed (servo)
Electrical connection	2 core white flex / cable Ø 6mm
Cable length	3m

### Flow rate SV118/D 12V DC:

