

# A45 SOAP DISPENSER

Chromed Finish

## SD01-013

DVS soap dispensers feature no-touch operation with a minimalistic easy to clean design. Available in either chrome or brushed finish, these dispensers are suitable for a wide range of environments including: hospitals, airports, motorway services, food preparation facilities, supermarkets and more.

Requires supplied Mains PSU or Battery unit to operate the soap dispenser (Batteries not included).

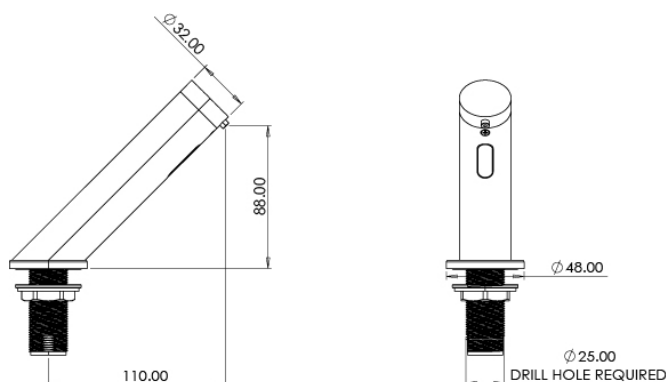
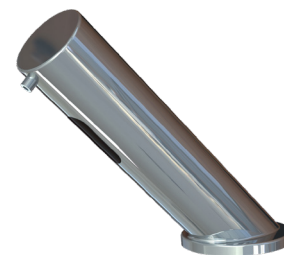
Mains PSU and Battery unit can also be used simultaneously in order to enable back up feature.

### PRODUCT NUMBER

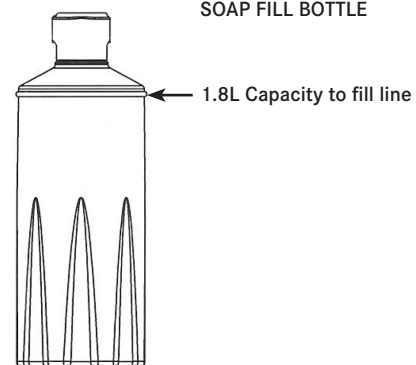
SD01-013	Chromed Finish	A45 Soap Dispenser
----------	----------------	--------------------

### TECHNICAL DATA

Type of soap dispenser	A45 Soap Dispenser
Type of mounting	Deck Mounted
Material	Brass
Surface finish	Chromed
Gross weight	0.70 kg
Spout projection	127mm
Power supply	AC: 220V / DC: 1.5V 4pcs
Bottle capacity	1.8L*
Ambient temperature	Normal Temperature
Type of operation	No Touch Sensor
Sensor range	0 - 30cm
Viscosity range of soap	100-3500cp (mpA • s)
Soap volume	≤2mL/ times (four gears)
Activation time	0.5 - 1s



SOAP FILL BOTTLE



Last Updated: 2020-02-14, Dart Valley Systems