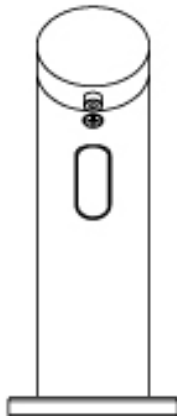


KWC DVS

Automatic Soap Dispenser

INSTRUCTIONS

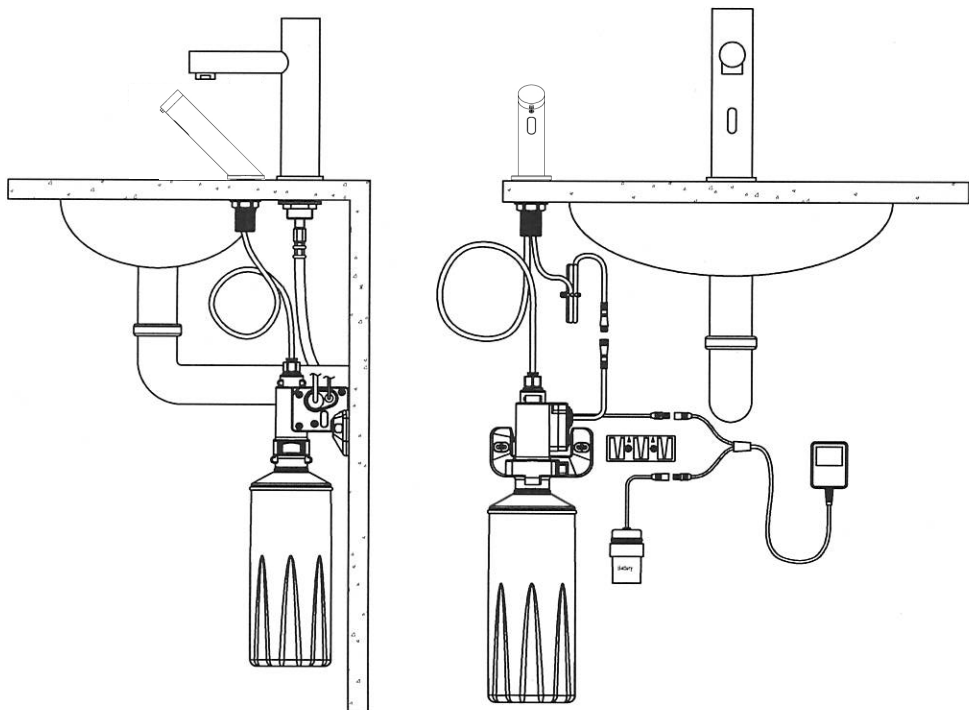


Please read this manual carefully before use.....

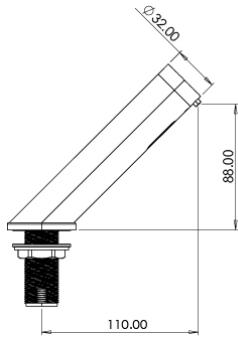
Specifications:

| | |
|-----------------|--|
| Model No. | SD01-012 / SD01-013 |
| Material | Brass |
| Sensing range | $15 \pm 3\text{cm}$ |
| Activation time | 0.5-1s |
| Power supply | AC:220V DC:1.5V 4pcs |
| Viscosity | 100-3500cp (mpA · s) |
| Soap volume | $\leq 2\text{mL}/\text{times}$ (four gear) |
| Bottle capacity | 1.8L* |
| Ambient temp. | Normal temperature |

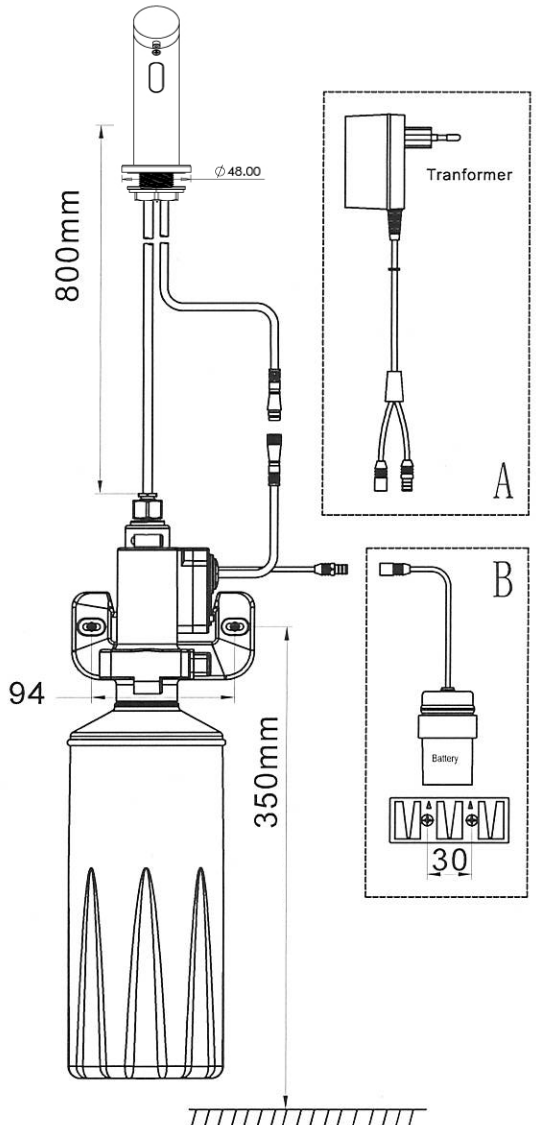
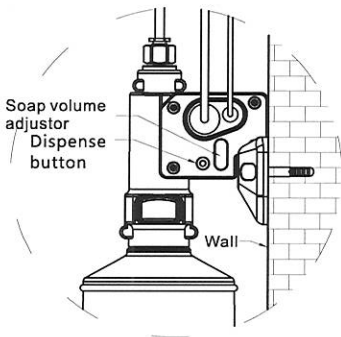
Installation:



Roughing in:



Ø25mm Drill Hole Required

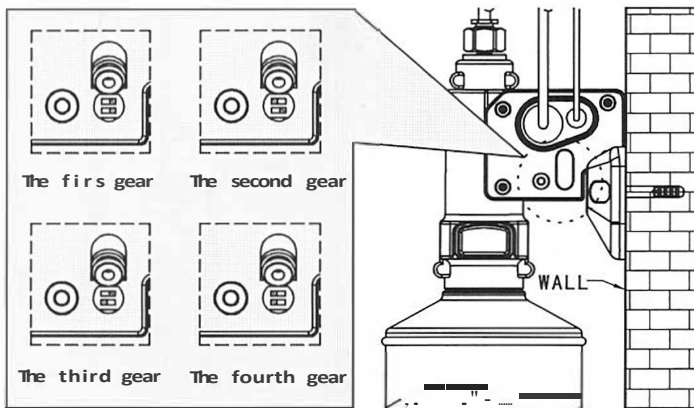


Installation steps:

- 1, Fill liquid soap into bottle capacity.
- 2, Press and hold the dispense button on the control box, release till the soap is dispensed.
- 3, Start the system by passing your hand in the sensor range, soap will dispense automatically.

Note: It has four soap dispense volume adjustment:

- 1, Low volume
- 2, Normal volume
- 3, Medium volume
- 4, High volume



Caution:

- 1, Ensure soap is free of particles, and filling cup is clean.
- 2, Clean soap tank with water periodically.
- 3, Refill soap when soap level is approximately 20mm.
- 4, Replace batteries when red light in sensor window blinks.
- 5, Use soft and moist cloth to clean, avoid spraying water directly at the system.