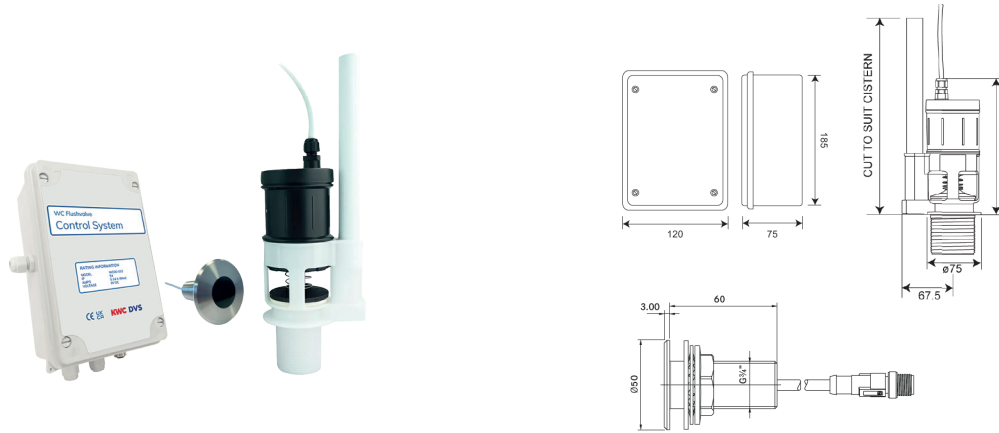


DELABIE | DVS

Low voltage WC flushvalve kit with programmable sensor



WC03-013

WC flushvalve kit with programmable sensor

The DELABIE DVS WC no-touch flushing system is an electronically operated drop valve which replaces the traditional syphon and delivers a WRAS Approved 4L single flush from the cistern to the lavatory bowl.

Technical data - Flushvalve

Weight	1.05kg
Material	ABS plastic
Power supply	Through WC control box
Outlet size	1½"
Internal overflow	Yes
Type of operation	Programmable sensor operation
Type of mounting	WC flushvalve
Functional principle	Electronic self-closing
Failsafe close	Yes

Technical data - Control box

Weight	1kg
Material	ABS plastic
Run times	0.2 - 6.5 seconds
Power source	6V DC mains PSU
IP rating	54
Amps	0.14A (MAX)
Voltage	6V DC

Technical data - Wave-on sensor

Material	316 stainless steel
Surface finish	Brushed
Gross weight	0.2kg
Operation type	A.I.R (active infrared) touch-free
Overall dimensions	60mm (L) x Ø50mm
Thread diameter	Ø26.44mm (¾"BSP)
Type of mounting	Wall mounted (Ø27mm drill hole required)