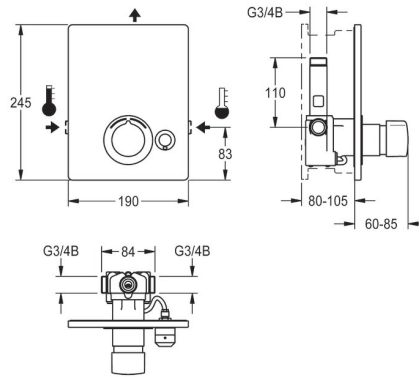


Self-closing in-wall mixer



F5SM2005

Self-closing in-wall mixer

F5S-Mix self-closing single-mixer DN 15 as finished installation kit for installation in basic installation kit, for shower facilities. FRAMIC self-closing mixing cartridge, hydraulically controlled, low-maintenance and stagnation-free, with ceramic disc technology, self-closing, flow pressure-independent due to medium-separated design. Stepless adjustment of flow duration.

With adjustable, turn-proof temperature stop. Connects to hot and cold water. All-metal construction, visible parts high-polished, chromium-plated.

Technical data

Gross weight	3.2kg
Net weight	3kg
Functional principle	Hydraulic-C
Type of mixing	Yes
Shower pipe draining	In-wall installation with box
Type of shower	In-wall fitting
Additional connections	No
Calculation flow rate cold water	0.15 seconds
Calculation flow rate hot water	0.15 seconds
Circulation	No
Connection with pay water dispenser	Not possible
Adjustable flow time	Yes
Diameter nominal	DN 15
Material casing	Stainless steel
Material fitting	Brass
Maximum flow time	60 seconds
Minimum flow pressure	0.5 bar
Minimum flow time	5 seconds
Protective shutdown	No
Sound insulation	No
Surface finish casing	Satin finish
Surface finish fitting	Chromium-plated brass
Thermal disinfection	No
Type of operation	Manual operation
Volume flow rate at 3 bar	0.2 litre per seconds
Position of water connection	Side
Hygiene flushing	No
Inlet size	G 3/4 B

Self-closing in-wall mixer

Mandatory accessories



Mandatory accessories

F5BX2001

System box for in-wall mixer
