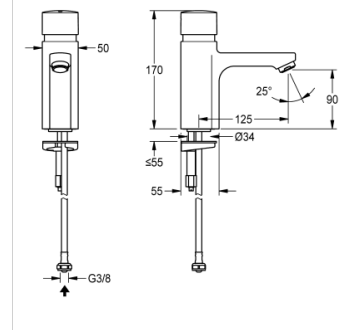


# SELF-CLOSING PILLAR TAP

F5SV1002 | 2030039426

PRODUCT GROUP (PG) : Taps | ARTICLE FAMILY (AF) : Self closing tap | ARTICLE GROUP (AG) : F5SV1001 ++ |  
 MODEL RANGE : F5 | LIFECYCLE : New



F5S self-closing pillar tap DN 15 for sanitary facilities. FRAMIC self-closing cartridge, hydraulically controlled, low-maintenance and stagnation-free, with ceramic disc technology, self-closing, flow pressure-independent due to medium-separated design. Stepless adjustment of flow duration. For connection to pre-mixed hot water or cold water via hose including strainer seal. All-metal construction, high-polished chromium-plated brass. Aerator with integrated flow regulator 3.0 l/min.

## TECHNICAL DATA

Gross Weight	1.72 kg
Net Weight	1.60 kg
Functional Principle	HYDRALIC-C
Type Of Mixing	NO
Type Of Mounting	MOUNTED-ON-PRODUCT
Type Of Tap	PILLAR-TAB
Volume Flow Rate At 3 Bar	0.05 liter per seconds
Calculation Flow Rate Cold Water	0.15 liter per seconds
Depressurised	NO
Adjustable Flow Time	YES
Diameter Nominal	DN-15-1-2INH
Material Fitting	BRASS
Maximum Flow Time	60 s
Minimum Flow Pressure	0.50 bar
Minimum Flow Time	5 s
Protective Shutdown	NO
Sound Insulation	NO
Spout Projection	125.00 mm
Surface Finish Fitting	CHROMISED
Thermal Disinfection	NO
Type Of Operation	MANUAL-OPERATION
Inlet Size	G3-8

# SELF-CLOSING PILLAR TAP

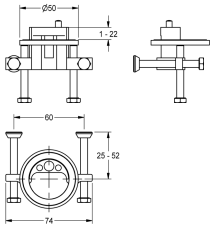
F5SV1002 | 2030039426

PRODUCT GROUP (PG) : **Taps** | ARTICLE FAMILY (AF) : **Self closing tap** | ARTICLE GROUP (AG) : **F5SV1001 ++** |  
MODEL RANGE : **F5** | LIFECYCLE : **New**

---

## ACCESSORIES

---



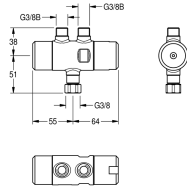
---

### TWIST-PROOF SET

---

2030035383

---



---

### THERMOSTATIC MIXING VALVE

---

2030012758

---