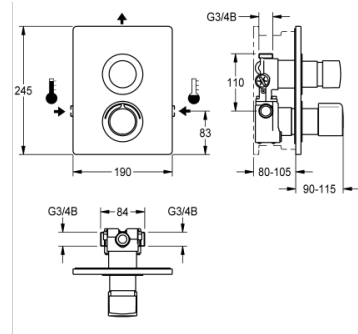


SELF-CLOSING THERMOSTATIC MIXER

F5ST2004 | 2030029011

PRODUCT GROUP (PG) : Showers | ARTICLE FAMILY (AF) : Self closing shower | ARTICLE GROUP (AG) : F5ST2004 ++ |
MODEL RANGE : F5 | LIFECYCLE : New



F5S-Therm self-closing thermostatic mixer DN 15 as finished installation kit for installation in basic installation kit, for shower facilities. Hydraulically controlled, connects to hot and cold water. Function block with integrated FRAMIC self-closing cartridge, thermostat and mechanism for an optional water hygiene unit for automatic water hygiene flushing, program-controlled thermal disinfection (additional bypass solenoid valve cartridge necessary) and storage of statistical data. FRAMIC self-closing cartridge, hydraulically controlled, low-maintenance and stagnation-free, with ceramic disc technology, self-closing, flow pressure-independent due to medium-separated design. Stepless adjustment of flow duration. Thermostat with metal handle with adjustable and turn-proof temperature stop and option for manual thermal disinfection. All-metal construction, visible parts high-polished, chromium-plated. Holding frame including profile seal, stainless steel cover plate 190 x 245 mm with covered screw fixing, chromium-plated plastic rosettes, backflow preventer and strainers. Depth adjustability 25 mm.

TECHNICAL DATA

Gross Weight	4.90 kg
Net Weight	4.70 kg
Functional Principle	HYDRALIC-C
Diameter Nominal	DN-15-1-2INH
Type Of Mixing	THERMOSTAT
Type Of Mounting	IN-WALL-INSTALLATION-W-BOX
Type Of Shower	IN-WALL-FITTING
Default Automatic Hygiene Flushing	PREPARED
Thermal Disinfection	YES
Additional Connections	NO
Calculation Flow Rate Cold Water	0.15 liter per seconds
Calculation Flow Rate Hot Water	0.15 liter per seconds
Circulation	NO
Connection With Pay Water Dispenser	NOT-POSSIBLE
Adjustable Flow Time	YES
Material Casing	STAINLESS-STEEL
Material Fitting	BRASS
Maximum Flow Time	60 s
Minimum Flow Pressure	1.00 bar
Minimum Flow Time	5 s
Protective Shutdown	NO

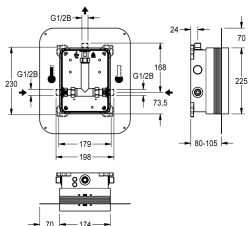
Shower Pipe Draining	NO
Sound Insulation	NO
Surface Finish Casing	SATIN-FINISHED
Surface Finish Fitting	CHROMISED
Type Of Operation	MANUAL-OPERATION
Volume Flow Rate At 3 Bar	0.20 liter per seconds
Position Of Water Connection	SIDE

SELF-CLOSING THERMOSTATIC MIXER

F5ST2004 | 2030029011

PRODUCT GROUP (PG) : Showers | ARTICLE FAMILY (AF) : Self closing shower | ARTICLE GROUP (AG) : F5ST2004 ++ |
MODEL RANGE : F5 | LIFECYCLE : New

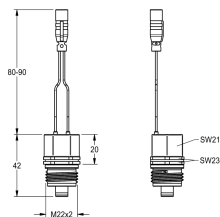
MANDATORY ACCESSORY



BASIC INSTALLATION KIT

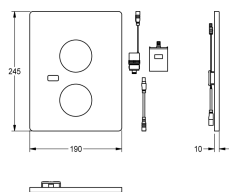
2030028990

ACCESSORIES



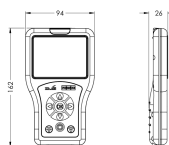
SOLENOID VALVE CARTRIDGE

2030003033



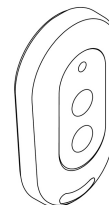
HYGIENE UNIT

2030041523



REMOTE CONTROL

2030036654



REMOTE CONTROL

2030036849