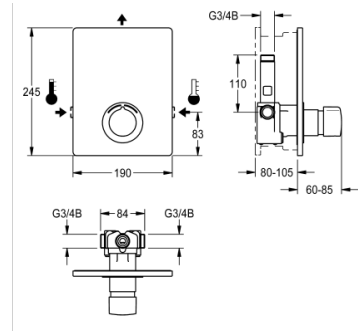


SELF-CLOSING IN-WALL MIXER

F5SM2004 | 2030029012

PRODUCT GROUP (PG) : Showers | ARTICLE FAMILY (AF) : Self closing shower | ARTICLE GROUP (AG) : F5SM2004 ++ |
 MODEL RANGE : F5 | LIFECYCLE : New



F5S-Mix self-closing single-mixer DN 15 as finished installation kit for installation in basic installation kit, for shower facilities. FRAMIC self-closing mixing cartridge, hydraulically controlled, low-maintenance and stagnation-free, with ceramic disc technology, self-closing, flow pressure-independent due to medium-separated design. Stepless adjustment of flow duration. With adjustable, turn-proof temperature stop. Connects to hot and cold water. All-metal construction, visible parts high-polished, chromium-plated. Holding frame including profile seal, stainless steel cover plate 190 x 245 mm with covered screw fixing, chromium-plated plastic rosettes, backflow preventer and strainers. Depth adjustability 25 mm.

TECHNICAL DATA

Gross Weight	3.05 kg
Net Weight	2.75 kg
Functional Principle	HYDRALIC-C
Type Of Mixing	YES
Shower Pipe Draining	NO
Type Of Mounting	IN-WALL-INSTALLATION-W-BOX
Type Of Shower	IN-WALL-FITTING
Additional Connections	NO
Calculation Flow Rate Cold Water	0.15 liter per seconds
Calculation Flow Rate Hot Water	0.15 liter per seconds
Circulation	NO
Connection With Pay Water Dispenser	NOT-POSSIBLE
Adjustable Flow Time	YES
Diameter Nominal	DN-15-1-2INH
Material Casing	STAINLESS-STEEL
Material Fitting	BRASS
Maximum Flow Time	60 s
Minimum Flow Pressure	0.50 bar
Minimum Flow Time	5 s
Protective Shutdown	NO
Sound Insulation	NO
Surface Finish Casing	SATIN-FINISHED
Surface Finish Fitting	CHROMISED
Thermal Disinfection	NO
Type Of Operation	MANUAL-OPERATION

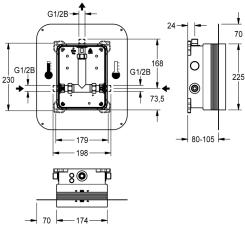
Volume Flow Rate At 3 Bar	0.20 liter per seconds
Position Of Water Connection	SIDE

SELF-CLOSING IN-WALL MIXER

F5SM2004 | 2030029012

PRODUCT GROUP (PG) : **Showers** | ARTICLE FAMILY (AF) : **Self closing shower** | ARTICLE GROUP (AG) : **F5SM2004 ++** |
MODEL RANGE : **F5** | LIFECYCLE : **New**

MANDATORY ACCESSORY



BASIC INSTALLATION KIT

2030028990
