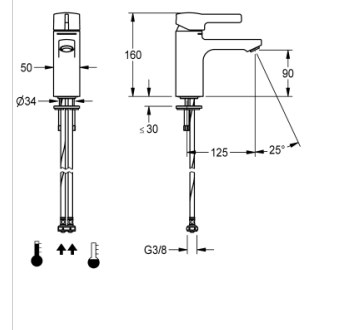


# SINGLE-LEVER PILLAR MIXER

F5LM1002 | 2030029885

PRODUCT GROUP (PG) : Taps | ARTICLE FAMILY (AF) : Manual tap | ARTICLE GROUP (AG) : F5LM1002 ++ | LIFECYCLE : New | MODEL RANGE : F5



F5L-Mix single-lever mixer as pillar mixer DN 15 for sanitary facilities. Mixing cartridge with ceramic disc technology and thermostatic protection from scalding, permanently set to 41 °C and with safety switch-off in the event of failure of the cold water supply. With a mechanism for an optional hygiene unit for automatic hygiene flushing and program-controlled thermal disinfection. For connection to hot water and cold water via hoses, includes strainers. All-metal construction, high-polished chromium-plated brass. Anti-theft aerator, SLIM design, with integrated flow rate regulator 5.0 l/min, projection 125 mm.

## TECHNICAL DATA

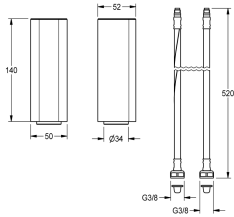
Gross Weight	1.74 kg
Net Weight	1.70 kg
Functional Principle	MANUAL-C
Type Of Mixing	THERMOSTAT-MIXER
Type Of Mounting	TAPHOLE
Type Of Tap	PILLAR-TAB
Calculation Flow Rate Cold Water	0.07 liter per seconds
Calculation Flow Rate Hot Water	0.07 liter per seconds
Depressurised	NO
Diameter Nominal	DN-15-1-2INH
Material Fitting	BRASS
Minimum Flow Pressure	1.00 bar
Spout Projection	125.00 mm
Surface Finish Fitting	CHROMISED
Thermal Disinfection	YES
Type Of Operation	MANUAL-OPERATION
Volume Flow Rate At 3 Bar	0.08 liter per seconds
Default Automatic Hygiene Flushing	PREPARED
Inlet Size	G3-8
Sound Insulation	NO

# SINGLE-LEVER PILLAR MIXER

F5LM1002 | 2030029885

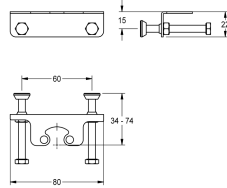
PRODUCT GROUP (PG) : Taps | ARTICLE FAMILY (AF) : Manual tap | ARTICLE GROUP (AG) : F5LM1002 ++ | LIFECYCLE : New | MODEL RANGE : F5

## ACCESSORIES



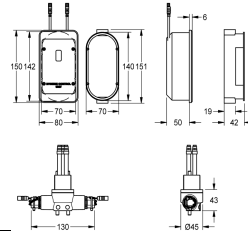
**SOCKET**

2030041325



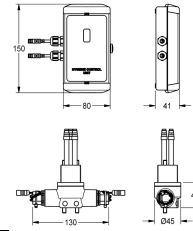
**TWIST-PROOF SET**

2030041324



**HYGIENE UNIT**

2030041264



**HYGIENE UNIT**

2030041258