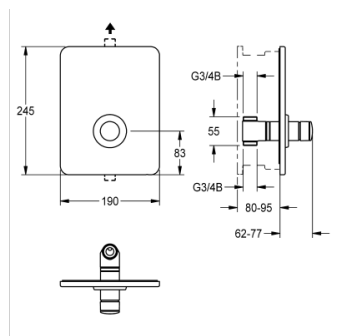


SELF-CLOSING STRAIGHT WAY VALVE

F3SV2005 | 2030040072

PRODUCT GROUP (PG) : Showers | ARTICLE FAMILY (AF) : Self closing shower | ARTICLE GROUP (AG) : F3SV2005 ++ |
 MODEL RANGE : F3 | LIFECYCLE : New



F3S self-closing straight-way valve DN 15 as finished installation kit for installation in basic installation kit, for shower facilities. Self-closing functional part, hydraulically controlled, piston-free design, self-closing, stepless adjustment of flow duration. For connection to pre-mixed hot water or cold water. Housing including changeable valve seat, visible parts, high-polished chromium-plated brass. Holding frame including profile seal, stainless steel cover plate 190 x 245 mm with covered screw fixing and rosette. Depth adjustability 20 mm.

TECHNICAL DATA

Gross Weight	1.50 kg
Net Weight	1.30 kg
Functional Principle	HYDRALIC-C
Type Of Mixing	NO
Type Of Mounting	IN-WALL-INSTALLATION-W-BOX
Type Of Shower	IN-WALL-FITTING
Additional Connections	NO
Calculation Flow Rate Cold Water	0.15 liter per seconds
Circulation	NO
Connection With Pay Water Dispenser	NOT-POSSIBLE
Adjustable Flow Time	YES
Diameter Nominal	DN-15-1-2INH
Material Casing	STAINLESS-STEEL
Material Fitting	BRASS
Maximum Flow Time	35 s
Minimum Flow Pressure	1.00 bar
Minimum Flow Time	5 s
Protective Shutdown	NO
Shower Pipe Draining	NO
Sound Insulation	NO
Surface Finish Casing	SATIN-FINISHED
Surface Finish Fitting	CHROMISED
Thermal Disinfection	NO
Type Of Operation	MANUAL-OPERATION

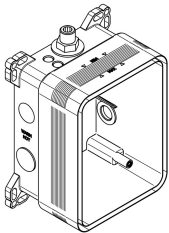
Volume Flow Rate At 3 Bar	0.20 liter per seconds
Position Of Water Connection	BOTTOM

SELF-CLOSING STRAIGHT WAY VALVE

F3SV2005 | 2030040072

PRODUCT GROUP (PG) : **Showers** | ARTICLE FAMILY (AF) : **Self closing shower** | ARTICLE GROUP (AG) : **F3SV2005 ++** |
MODEL RANGE : **F3** | LIFECYCLE : **New**

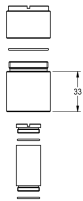
MANDATORY ACCESSORY



BASIC INSTALLATION KIT

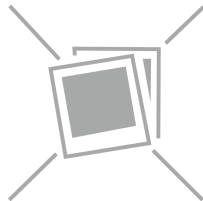
2030040069

ACCESSORIES



EXTENSION SET

2000101451



VALVE SEAT SPANNER

2000101454

SPARE PARTS



FUNCTIONAL PART

2000104352
