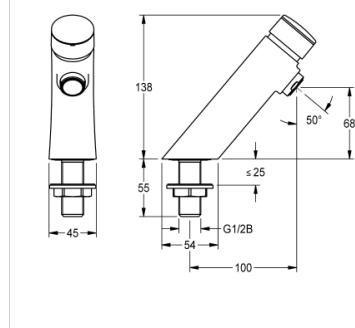


SELF-CLOSING PILLAR TAP

F3SV1001 | 2030034410

PRODUCT GROUP (PG) : Taps | ARTICLE FAMILY (AF) : Self closing tap | ARTICLE GROUP (AG) : F3SV1001 ++ |
MODEL RANGE : F3 | LIFECYCLE : New



F3S Self-closing pillar tap DN 15 for sanitary facilities. Self-closing cartridge, hydraulically controlled, piston-free design, self-closing, stepless adjustment of flow duration. For connection to pre-mixed hot water or cold water. Casing, high-polished chromium-plated brass. Aerator with an integrated flow regulator 3.0 l/min.

TECHNICAL DATA

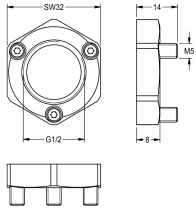
| | |
|---------------------------|------------------------|
| Gross Weight | 0.95 kg |
| Net Weight | 0.90 kg |
| Functional Principle | HYDRALIC-C |
| Type Of Mixing | NO |
| Type Of Mounting | TAPHOLE |
| Type Of Tap | PILLAR-TAB |
| Depressurised | NO |
| Adjustable Flow Time | YES |
| Diameter Nominal | DN-15-1-2INH |
| Material Fitting | BRASS |
| Maximum Flow Time | 20 s |
| Minimum Flow Pressure | 1.00 bar |
| Minimum Flow Time | 5 s |
| Protective Shutdown | NO |
| Spout Projection | 100.00 mm |
| Surface Finish Fitting | CHROMISED |
| Thermal Disinfection | NO |
| Type Of Operation | MANUAL-OPERATION |
| Volume Flow Rate At 3 Bar | 0.05 liter per seconds |
| Inlet Size | G-1-2-B |
| Sound Insulation | NO |

SELF-CLOSING PILLAR TAP

F3SV1001 | 2030034410

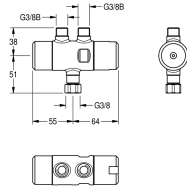
PRODUCT GROUP (PG) : **Taps** | ARTICLE FAMILY (AF) : **Self closing tap** | ARTICLE GROUP (AG) : **F3SV1001 ++** |
MODEL RANGE : **F3** | LIFECYCLE : **New**

ACCESSORIES



TWIST-PROOF SET

2030041946



THERMOSTATIC MIXING VALVE

2030012758
