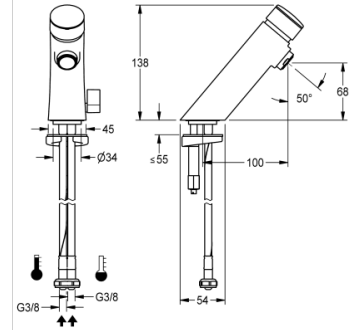


# SELF-CLOSING PILLAR MIXER

F3SM1001 | 2030034411

PRODUCT GROUP (PG) : Taps | ARTICLE FAMILY (AF) : Self closing tap | ARTICLE GROUP (AG) : F3SM1001 ++ |  
 MODEL RANGE : F3 | LIFECYCLE : New



F3S-Mix self-closing pillar mixer DN 15 for sanitary facilities. Self-closing cartridge, hydraulically controlled, piston-free design, self-closing, stepless adjustment of flow duration. For connection to hot water and cold water via hoses with integrated backflow preventer and strainers. Temperature lever with adjustable, turn-proof temperature stop. Casing, high-polished chromium-plated brass. Aerator with an integrated flow regulator 3.0 l/min.

## TECHNICAL DATA

Gross Weight	1.44 kg
Net Weight	1.35 kg
Functional Principle	HYDRALIC-C
Type Of Mixing	YES
Type Of Mounting	TAPHOLE
Type Of Tap	PILLAR-TAB
Calculation Flow Rate Cold Water	0.07 liter per seconds
Calculation Flow Rate Hot Water	0.07 liter per seconds
Depressurised	NO
Adjustable Flow Time	YES
Diameter Nominal	DN-15-1-2INH
Material Fitting	BRASS
Maximum Flow Time	20 s
Minimum Flow Pressure	1.00 bar
Minimum Flow Time	5 s
Spout Projection	100.00 mm
Type Of Operation	MANUAL-OPERATION
Volume Flow Rate At 3 Bar	0.05 liter per seconds
Protective Shutdown	NO
Sound Insulation	NO
Surface Finish Fitting	CHROMISED
Thermal Disinfection	NO
Inlet Size	G3-8

# SELF-CLOSING PILLAR MIXER

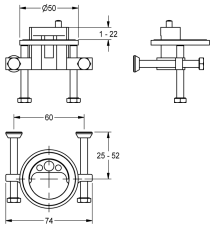
F3SM1001 | 2030034411

PRODUCT GROUP (PG) : **Taps** | ARTICLE FAMILY (AF) : **Self closing tap** | ARTICLE GROUP (AG) : **F3SM1001 ++** |  
MODEL RANGE : **F3** | LIFECYCLE : **New**

---

## ACCESSORIES

---



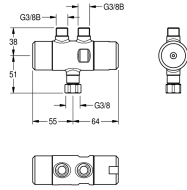
---

### TWIST-PROOF SET

---

2030035383

---



---

### THERMOSTATIC MIXING VALVE

---

2030012758

---