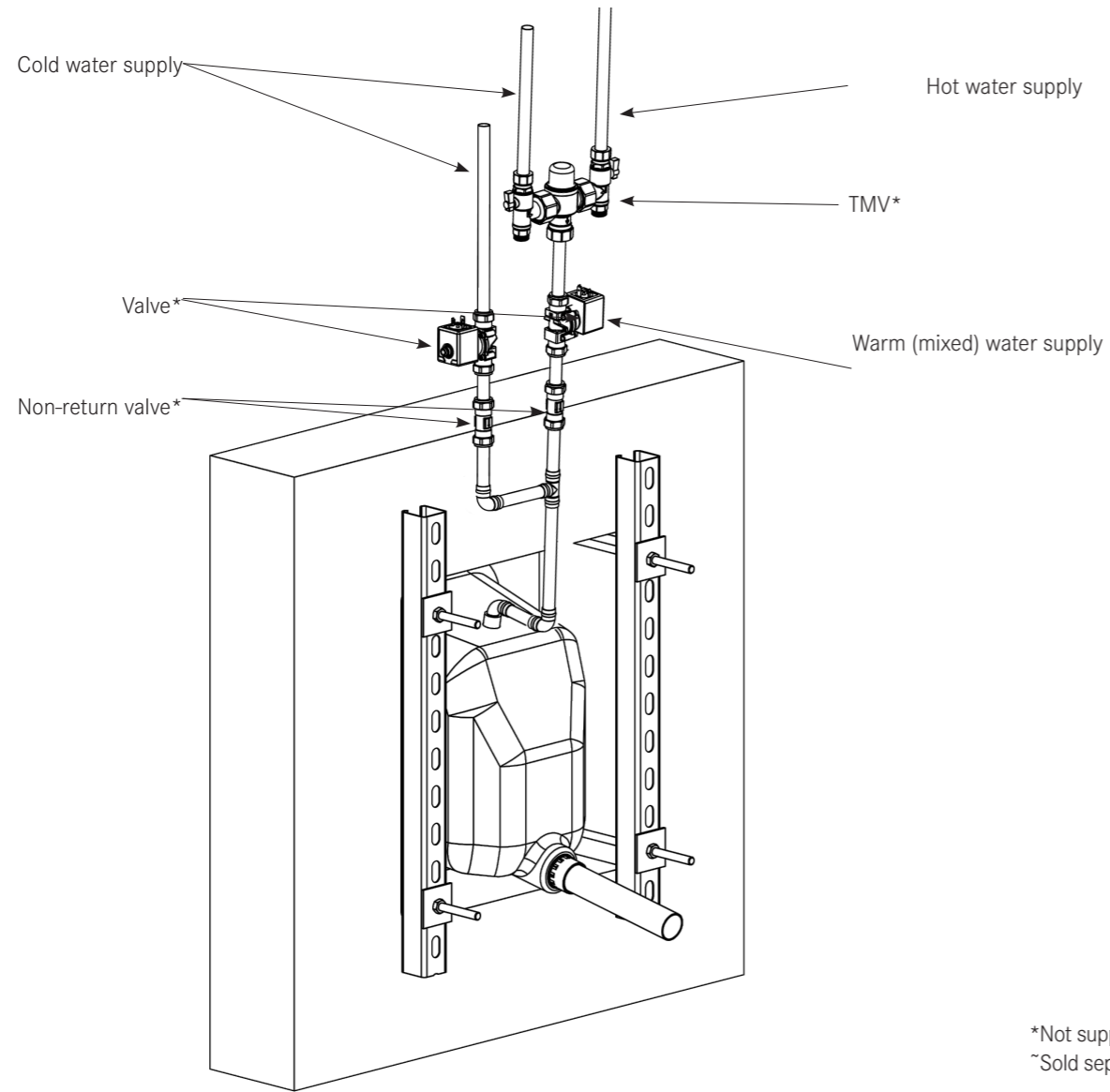


Typical Installation



*Not supplied
~Sold separately

Warranty & Support

Warranty

The Safe Ensuite in Wall Basin is guaranteed for 5 years from purchase against defective material and assembly.

Support

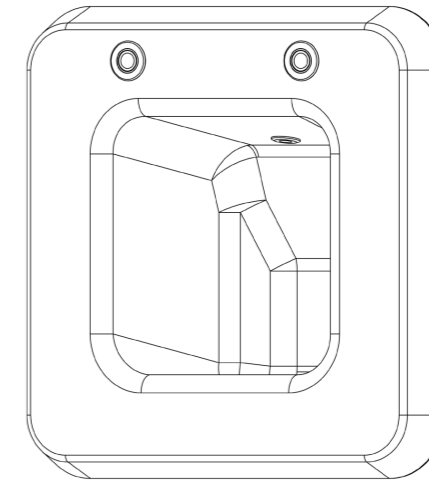
For technical support please visit our technical pages on our website at www.dartvalley.co.uk or contact us:

kwcdvstechsupport@kwc.com

KWC DVS

Safe Ensuite In Wall Basin Installation Instructions

VR01-085



Step 1 : Safety first

These instructions relate to the use of the Safe Ensuite in Wall Basin only, any external or 'add-on' parts will be supplied with separate instructions.

It is recommended that the electrical part of the installation be carried out by a qualified electrician in accordance with the latest electrical regulations. It is also recommended that any plumbing is carried out by a qualified plumber.

IMPORTANT : Please read these instructions carefully and follow each stage in order!

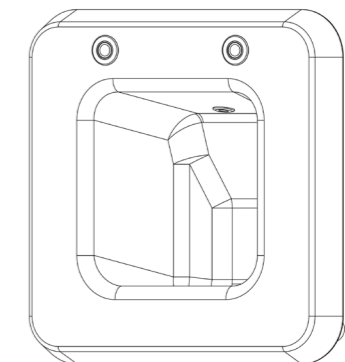


The fixing kit supplied is suitable for fixing to IPS panels up to 25mm thick, for brick or concrete walls please see options below:

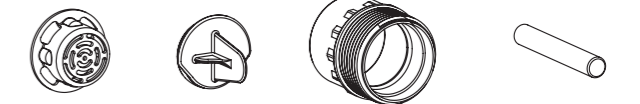
- VR01-006 Fixing kit for 100mm walls
- VR01-007 Fixing kit for 150mm walls
- VR01-008 Fixing kit for 250mm walls

Each kit includes:
4 x 10mm Steel threads
2 x 1/2" BSP Brass threads (for sensors)

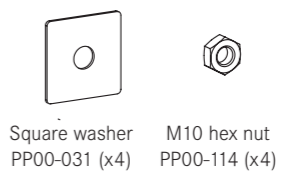
Step 2 : Parts



VR01-085 (basin)



- Waste grid VR01-032 (x1)
- Waste bung VR01-033 (x1)
- 1/4" plastic male iron VR00-035 (x1)
- M10 A11 thread PP00-210 (x4)



- Square washer PP00-031 (x4)
- M10 hex nut PP00-114 (x4)

Step 3 : Wall Preparation & Drilling Template

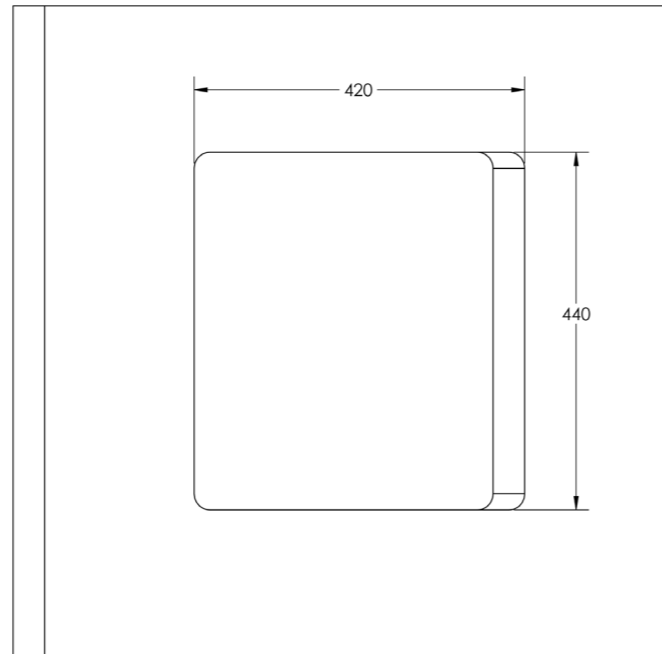
Locating correct position

Please note - Maximum cable runs

Routing of cables back to the control box should be planned at this stage.

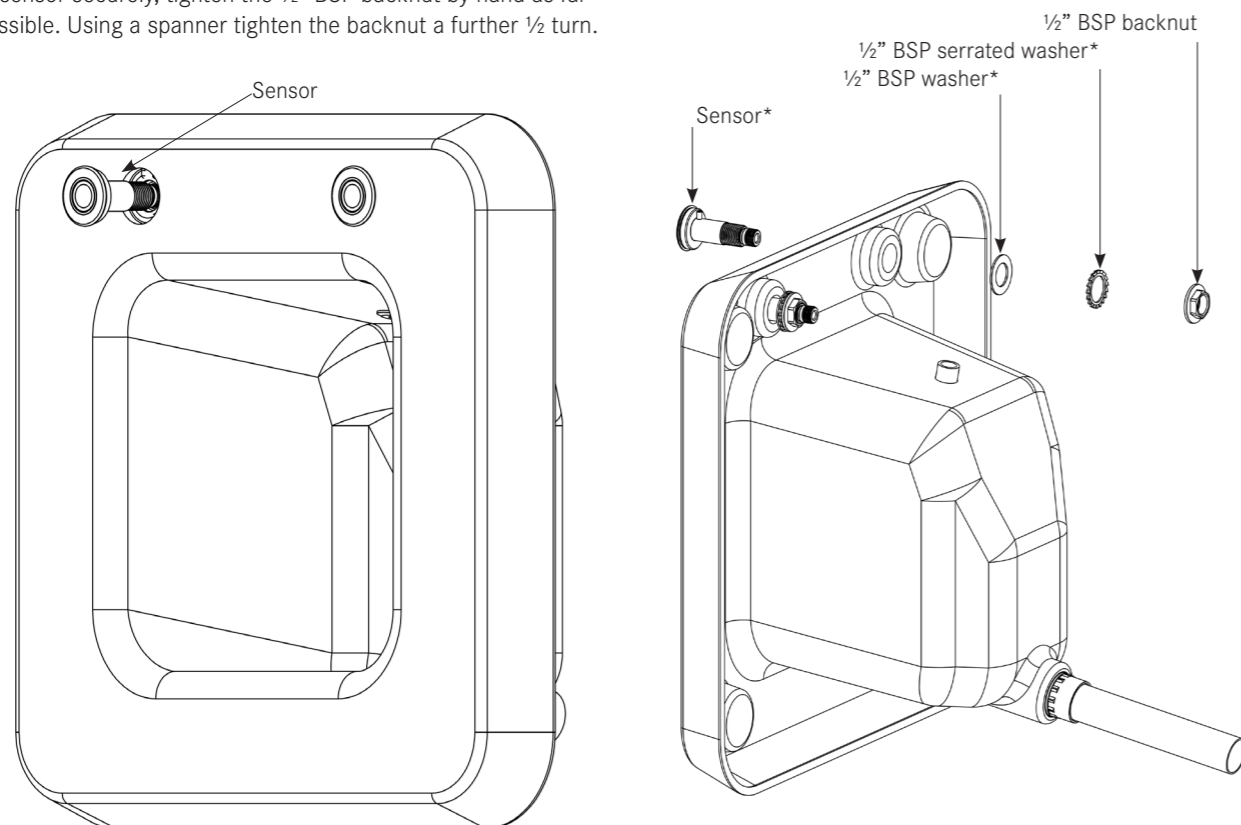
Cut a 420mm x 440mm hole to allow the basin to sit in the wall

NOTE : As a guide, UK guidelines recommend a distance from the rim of the basin to the floor of between 780 and 800mm (standard use) / 720 and 740mm (disabled use).



Step 4 : Sensor Installation

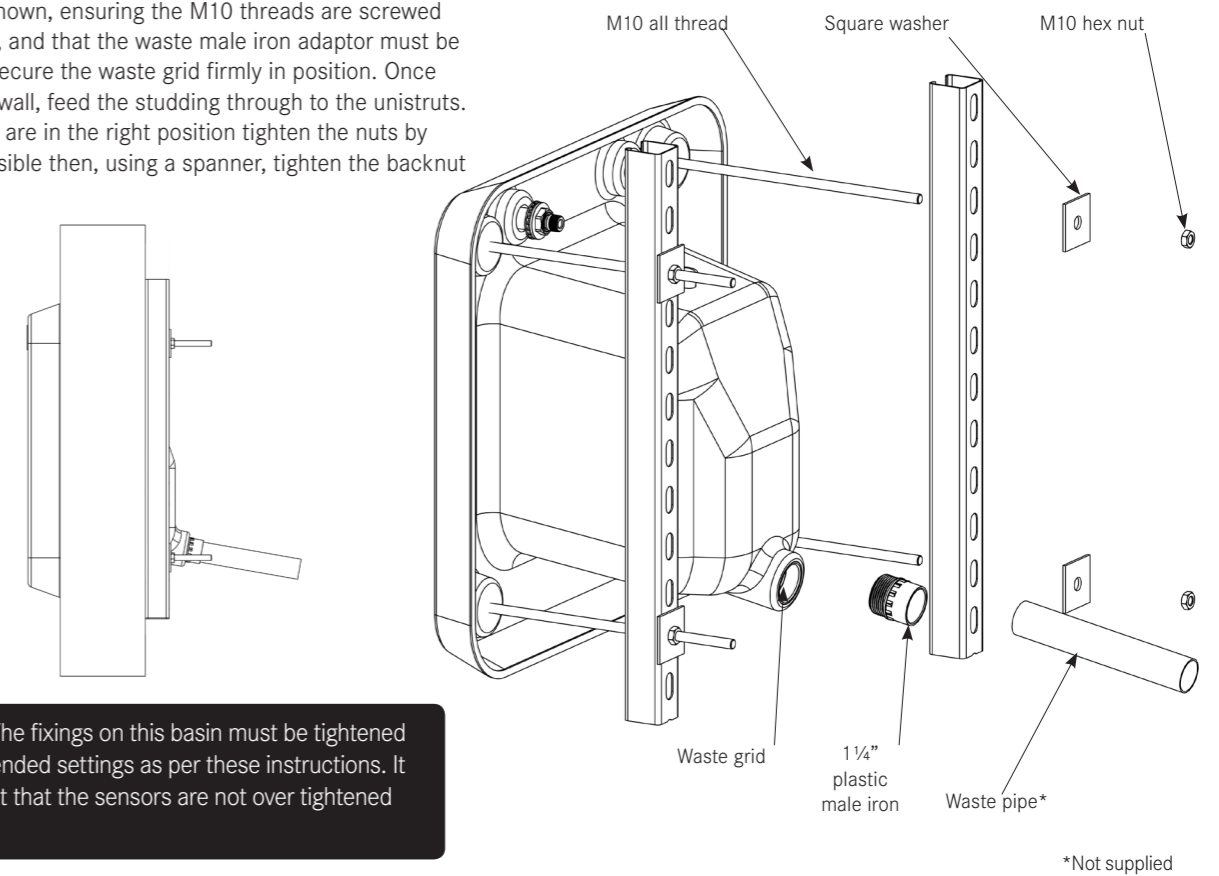
To fit sensor securely, tighten the ½" BSP backnut by hand as far as possible. Using a spanner tighten the backnut a further ½ turn.



*Sold separately

Step 5 : Fittings Installation

Install fittings as shown, ensuring the M10 threads are screwed fully into the basin, and that the waste male iron adaptor must be fully tightened to secure the waste grid firmly in position. Once the basin is in the wall, feed the studding through to the unistruts. Once the unistruts are in the right position tighten the nuts by hand as far as possible then, using a spanner, tighten the backnut a further ½ turn.



IMPORTANT : The fixings on this basin must be tightened to the recommended settings as per these instructions. It is also important that the sensors are not over tightened during step.5.

Step 6 : Cleaning

This is a specialist product and should **NOT** be compared with standard porcelain sanitaryware, it is finished using a standard sanitaryware gel coat that requires cleaning on a daily basis to keep it looking at its best, care should be taken and only recommended cleaning products should be used. Please see list on web site or if in doubt contact Customer Support at DVS.

(DVS recommend Ecolab Maxx Into Citrus 2 for daily cleaning)

PRODUCT CLEANING

For day to day cleaning we recommend using an approved product such as "Ecolab Maxx"

Wash product removing any loose particles, apply cleaner then wash and rinse using warm water ensuring all cleaner is removed, we also recommend wiping the surface area dry.

WC CLEANING ONLY

For day to day cleaning for the WC pans we recommend using an approved product and standard toilet brush giving attention to the U bend area.

Flush WC pan before cleaning making sure there are no loose particles in the U bend, apply cleaner and wash surface area using a soft cloth, the U bend should be cleaned as mentioned above. Once finished, flush toilet to remove any cleaner residue or grime. If necessary flush again, wipe surface area dry.

If these instructions are followed daily, your product should last for many years.

WARNING.

DO NOT use abrasive materials or cleaners.

Standard cloths and WC brushes only should be used, although abrasive cleaners will not damage the product it will dull the surface.

Hair dyes and other household colourants should **NOT** be used with these products.

Strong disinfectants or bleach should be avoided but if used should be diluted and flushed away immediately after cleaning. **DO NOT** leave undiluted bleach on the surface material.