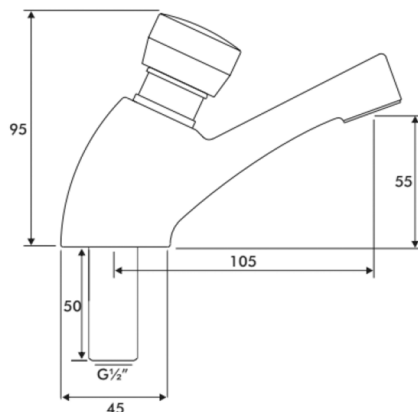


## KWC

### Non-concussive tap



#### MT00-030

Basin mounted push tap

The basin mounted push tap is designed for use with our range of thermostatic mixing valves. With a simple, non concussive operation and water saving technology this tap is ideal for use in areas such as leisure and commercial washrooms. The simple operation of the push tap enables users with limited mobility to use the facility.

Available in the following flow rate options; 2ltr, 4ltr and 5ltr.

#### Technical data

Material	Brass
Surface finish	Chromed
Gross weight	0.6kg
Type of operation	Hand (push) operation
Type of mounting	Deck mounted
Spout projection	105mm
Pressure ranges	0.2-10 bar
Fixing	1/2" BSP