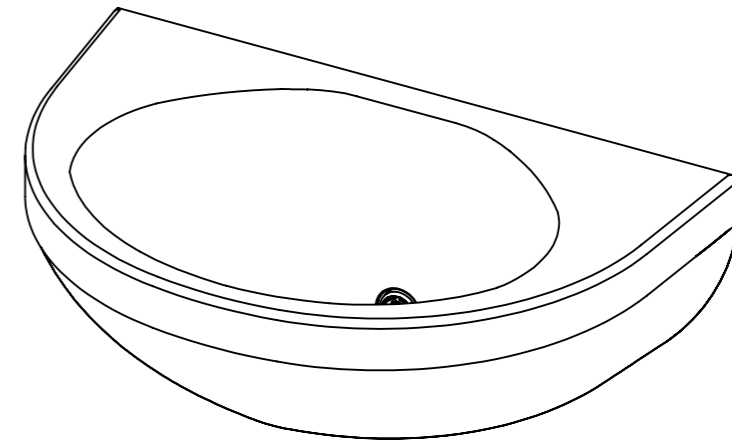


Safe Ensuite Low Profile Basin Installation instructions

- VR01-081 - NTH
- VR01-082 - 1TH L
- VR01-083 - 1TH R
- VR01-084 - 2TH



Step 1 : Safety first

These instructions relate to the use of the Low Profile Basin, any external or 'add-on' parts will be supplied with separate instructions.

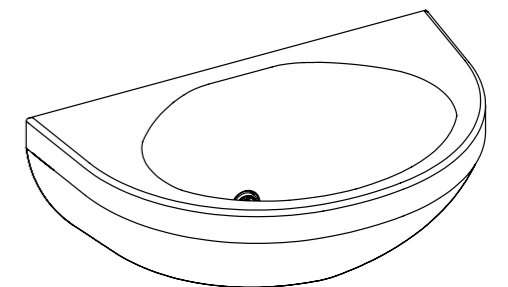
IMPORTANT : Please read these instructions carefully and follow each stage in order!



The supplied fixing kit is suitable for fixing the basin on up to 250mm wall thicknesses.

For fixing kits suitable for wall thicknesses deeper than 250mm, P.O.A.

Step 2 : Parts (Supplied)



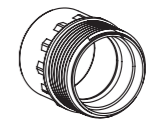
VR01-081* (basin)



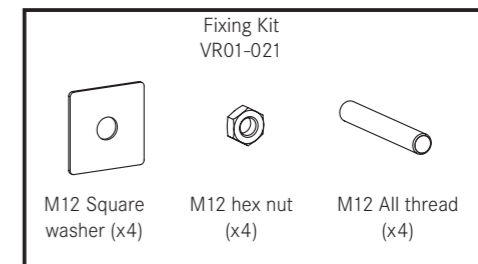
Waste grid
VR01-032 (x1)



Waste bung
VR01-033 (x1)



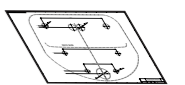
1/4" plastic
male iron
PP00-123 (x1)



M12 Square
washer (x4)

M12 hex nut
(x4)

M12 All thread
(x4)



Drilling template
(PP00-649)

Step 3 : Wall Preparation & Drilling Template

Locating correct position

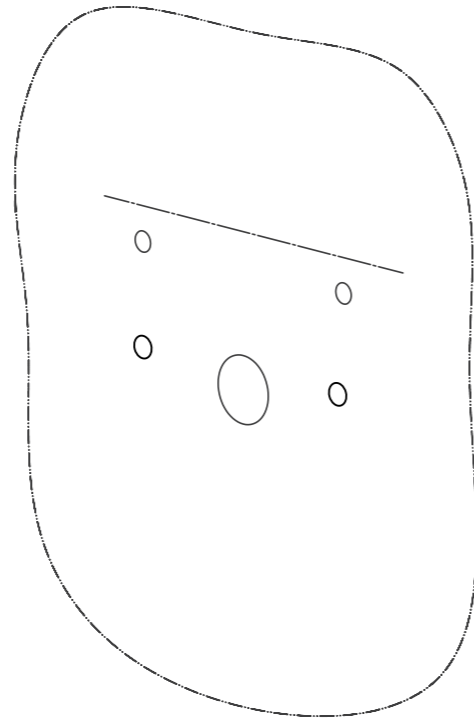
Please note - Maximum cable runs

Routing of plumbing for taps or spouts should be planned at this stage.

Temporarily fix the drilling template at the desired height using masking tape.

NOTE : As a guide, UK guidelines recommend a distance from the rim of the basin to the floor of between 780 and 800mm (standard use) / 720 and 740mm (disabled use). Use rim line on the drilling template.

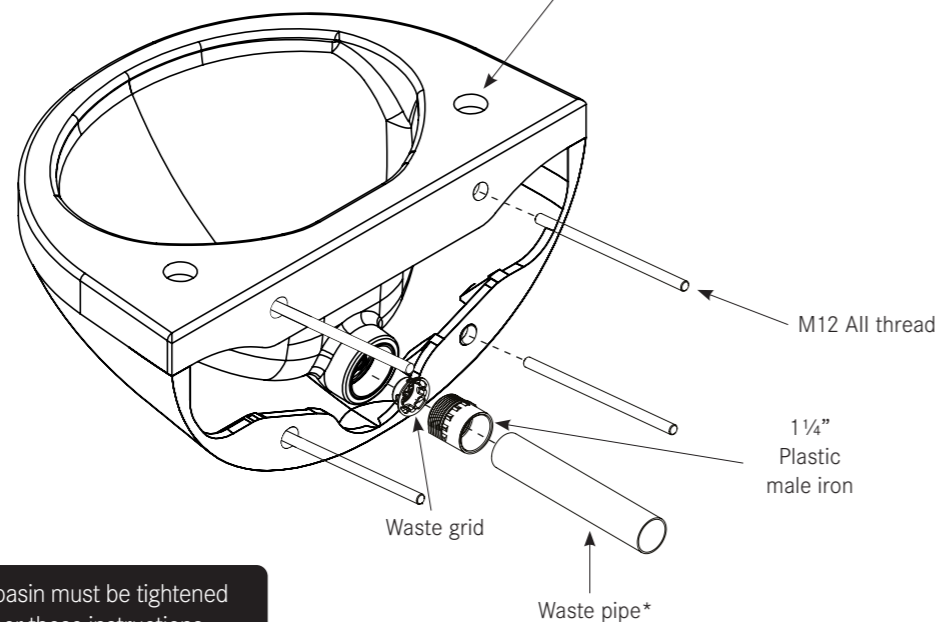
Drill through the marked areas on the template. Remove the template, then secure the basin with the fixings as shown under step.4 and 5.



Step 4 : Fittings Installation

Install fittings as shown, ensuring the M12 threads are screwed fully into the basin, and that the waste male iron adaptor must be fully tightened to secure the waste grid firmly in position. Secure basin with M12 nuts to 10 Nm.

NOTE : Low Profile Basin Variants with Tap Holes.
Tap Hole size: Ø27mm (Suitable for 3/4" BSP)



IMPORTANT : The fixings on this basin must be tightened to the recommended settings as per these instructions.

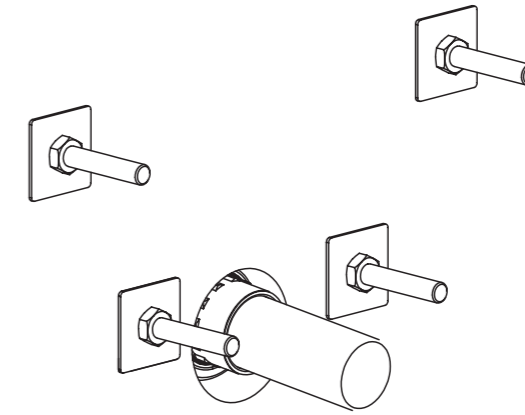
It is also important that they are not over tightened

*Not supplied

Typical Installation

NOTE : The same 'Typical Installation' applies to all variants of this basin. (NTH, 1TH L, 1TH R & 2TH)

When installing basins with tap holes, plumbing access will need to be considered.



Cleaning

This product should be cleaned daily with warm soapy water, then rinsed with cold water. If desired, this product can be dried using a soft non-abrasive cloth.

The gel coat has a high gloss surface. Abrasive cleaners and scouring powders should be avoided, as long term, these products will scratch and damage the gel coat.

Non abrasive cleaning agents can be used, however, we recommend testing the product first in an inconspicuous area first to ensure ensure compatibility- checking there is no deterioration in the surface quality. Any cleaning products should be used as per the manufacturers instructions.

If bleach is used to sanitise the product, it is important to rinse it away with a copious amount of water. Bleach should not be left in contact with the product for a long period of time.

Care should be taken to avoid contact with the following chemicals as they can damage the gel coat; paint strippers, strong disinfectants, alcohol, aftershave, perfumes, nail varnishes and their removers.

If in doubt please contact KWC DVS direct for further advice.

Warranty & Support

Warranty

The Safe Ensuite Integrated Basin is guaranteed for 2 years from purchase against defective material and assembly.

Support

For technical support please visit our technical pages on our website at www.dartvalley.co.uk or contact us:

KWC DVS Ltd

Northern Office: +44 (0)1246 458900
Southern Office: +44 (0)1803 529021