

## KWC DVS POWER PACK

Model line: SAFE ENSUITE CONTROL SYSTEMS



### WC00-155

KWC DVS POWER PACK

The KWC DVS Power Pack is designed to power an array of KWC DVS products direct from its battery in the event of a power outage.

An onboard Intelligent Charger keeps the battery at an optimum charge level. In the event of a power outage, the battery will continue to supply power for up to 10 days depending on load.

#### Technical data

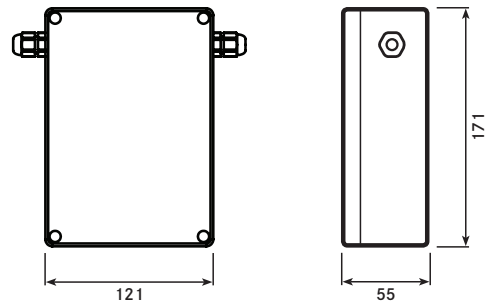
Weight	1.45 kg
Material	ABS Plastic
Power source	Mains Spur
IP rating	65
Amps	200 mA (MAX)
Voltage	6.9V DC

#### Compatible With;

- DVS Tap Control System
  - DVS No-Touch Taps
  - DVS Programmable Sensor
  - DVS Battery operated showers with Programmable sensors
- Please contact DVS for any required compatibility advice.

#### Additional Information;

For Installation & Set-Up information, please see - WC00-155 Instructions.  
Available on [www.dartvalley.co.uk](http://www.dartvalley.co.uk)



**ALL DIMENSIONS IN MM  
UNLESS STATED OTHERWISE**