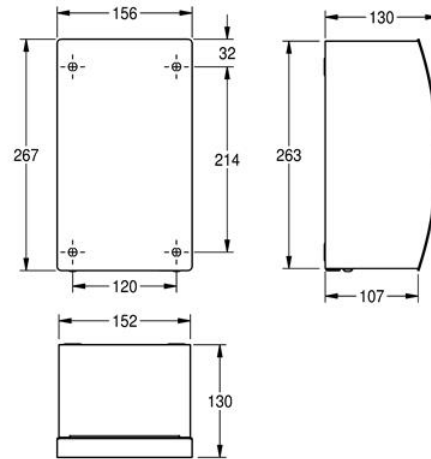


HAND DRYER

STRX220 | 2030027296

PRODUCT GROUP (PG) : **Dryers** | ARTICLE FAMILY (AF) : **Hand dryers** | ARTICLE GROUP (AG) : **STRX210** | MODEL RANGE : **STRATOS**



Touch free electronic warm air hand dryer for wall mounting, stainless steel, surface satin finished, front with InoxPlus surface refinement for the reduction of finger marks and better cleaning characteristics (easy to clean), material thickness 1.5mm, curved front cover, Infrared sensor activity for non-touch operation, sensor range adjustable from 10 to 25 cm, automatic power shut-off after 60 seconds, adjustable air velocity the drying time is shortened strongly, cable and plug not included.

Connection voltage: 230-240 V, 50-60 Hz

Total power: 1000 W

Heater: 500 W

Motor: 500 W

Air volume: 80 m³/h

Air velocity: 95-115 m/s

TECHNICAL DATA

Gross Weight	4.90 kg
Net Weight	4.30 kg
Air Velocity	ADJUSTABLE
Blower Output	80.00 cubic meter per hours
Input Supply Voltage Hz	50 hz
Input Supply Voltage V	220.00 v
Heating Power	500.00 w
Material	STAINLESS-STEEL
Material Code	1.4301
Material Thickness	1.50 mm
Motor Power	500.00 w
Overall Depth	130.00 mm
Overall Height	267.00 mm
Overall Width	156.00 mm
Sound Level	76 db

Surface Finish	SATIN-FINISHED
Surface Treatment	INOXPLUS
Total Power	1,000.00 w
Type Of Fixing	SCREW
Type Of Mounting	WALL-MOUNTING
Type Of Operation	SENSOR-OPERATION
Protective System Ip	IPX1