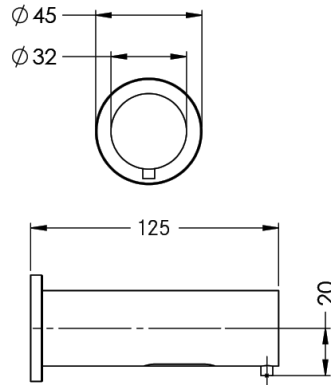


## KWC

### WM Soap dispenser chromed finish

#### SD01-001



#### SD01-001

WM Soap dispenser chromed finish

KWC DVS soap dispensers feature no-touch operation with a minimalistic easy to clean design. Available in either chrome or brushed finish, these dispensers are suitable for a wide range of environments including; hospitals, airports, motorway services, food preparation facilities, supermarkets and more.

Requires supplied Mains PSU or Battery unit to operate the soap dispenser (Batteries not included). Mains PSU and Battery unit can also be used simultaneously in order to enable back up feature.

#### Technical data

Material	Brass
Gross weight	0.30 kg
Type of soap dispenser	WM Straight
Type of mounting	Wall mounted
Surface finish	Chromed
Total soap dispenser length	125mm
Power supply	AC: 220V / DC: 6V (4x AA)
Bottle capacity	1.6L - 2L
Ambient temperature	Normal Temperature
Type of operation	No Touch Sensor
Sensor range	15 ± 3cm
Viscosity range of soap	100-3500cp (mpA • s)
Soap volume	≤2mL/ times (four gears)