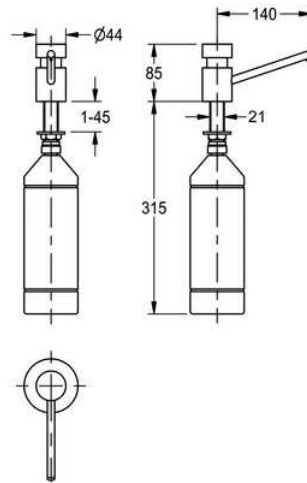


# TABLE SOAP DISPENSER

SD80 | 2000056721

ARTICLE GROUP (AG) : **SD80++** | ARTICLE FAMILY (AF) : **Soap dispensers** | PRODUCT GROUP (PG) : **Accessories**



Soap dispenser for table top mounting into worktops with max. 45 mm thickness, high polished chromated brass, requires 22 mm drilling hole, 1/2" thread, spout not movable, spout length 140 mm, suitable for liquid soaps and lotions, 1 liter soap tank with membrane for pressure balance, filled from above.

with standard body length (85 mm)

## TECHNICAL DATA

Filling Quantity	1000 ML
Gross Weight	1.16 kg
Lock	NO-LOCK
Material	BRASS
Net Weight	1.00 kg
Overall Depth	162.00 mm
Overall Height	400.00 mm
Overall Width	44.00 mm
Surface Finish	CHROMISED
Type Of Consumable	LIQUID-SOAP
Type Of Fixing	SCREW
Type Of Mounting	COUNTER-TOP-MOUNTING
Type Of Operation	MANUAL-OPERATION
Type Of Soap Container	INTEGRATED-REFILLABLE-BAG

# TABLE SOAP DISPENSER

SD80 | 2000056721

ARTICLE GROUP (AG) : **SD80++** | ARTICLE FAMILY (AF) : **Soap dispensers** | PRODUCT GROUP (PG) : **Accessories**

---

## CONSUMABLES

---



---

**LIQUID SOAP**

---

2000057162

---



---

**LIQUID SOAP**

---

2000057168

---