

SAFE ENSUITE CORNER SOAP DISH

VR01-026

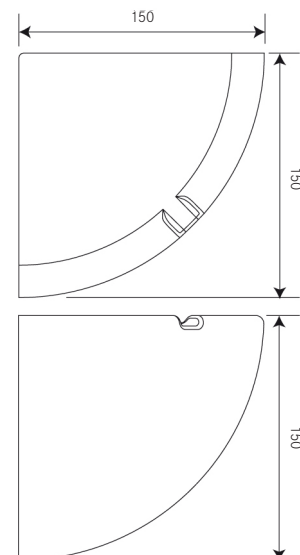
Safe Ensuite Soap Dish; impact resistant construction, moulded soap outlet for easy cleaning, easy and secure method of fixing. Suitable for custodial, healthcare and mental healthcare applications.

PRODUCT NUMBER

VR01-026

TECHNICAL DATA

Material	High Performance Composite material
Gross weight	1.05 kg
Overall dimensions	150mm (h) x 150mm (w) x 150mm (d)
Type of mounting	Pre-drilled steel brackets x2 (included) and structural adhesive (available from manufacturer)
Additional features	Anti-Ligature and impact resistant



ALL DIMENSIONS IN MM

Last updated:
2015-09-29, Dart Valley Systems