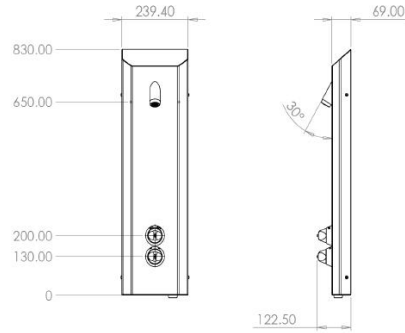


Dual outlet shower tower



SH01-013

Dual outlet tower shower

Designed for high-security healthcare applications. Featuring a dual outlet, this means that assisted and unassisted showering can be achieved, making it well suited to high security healthcare applications. Switching between outlets is quick and easy due to the inbuilt automatic diverter valve.

Technical data

Material	316 Stainless steel
Surface finish	Brushed
Gross weight	15kg
Type of operation	Manual knob controls
Type of mounting	Wall mounted
Type of mixing	Requires TMV3 on hot supply
Failsafe close	Yes
Water connection	15mm bottom entry
Mininum flow pressure	1 bar

Features

Tamper proof
Ligature resistant controls
High impact resistance
Robust 1.5mm (Front) & 2mm (Back) 316 Stainless Steel construction
Detachable hose and handset
Auto Switch over when hose and handset are not attached
Pre-plumbed rigid copper pipework
Available in powder coated white upon request (extra charges apply)