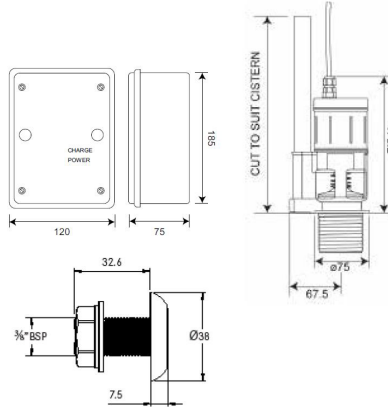


KWC

Battery flushvalve kit with 2" base - programmable sensor



WC03-053

Battery flushvalve kit with 2" base

The KWC DVS no-touch WC flushing system is an electronically operated drop valve which replaces the traditional syphon and delivers a measured volume of water from the cistern to the lavatory bowl.

Technical data - Flushvalve

Weight	1.05kg
Material	ABS plastic
Power supply	Through WC control box
Outlet size	2"
Internal overflow	Yes
Type of operation	Sensor operation or tactile button
Type of mounting	WC flushvalve
Functional principle	Electronic self-closing
Failsafe close	Yes

Technical data - Control box

Weight	1kg
Material	ABS plastic
Run times	0.25 - 6.75 seconds
Power source	Battery pack
IP rating	54
Amps	0.14A (MAX)
Frequency	50Hz
Voltage	9V DC

Technical data - Wave-on sensor

Material	Chromium-plated brass
Surface finish	Polished
Gross weight	0.2kg
Overall dimensions	40.1mm (L) x Ø38mm
Thread diameter	Ø16.66mm (3/8" BSP)
Type of mounting	Wall mounted (Ø18mm drill hole required)
Operation type	A.I.R (active infrared) touch-free
Cable length	3m
Adjustable settings	Dictated by control box used