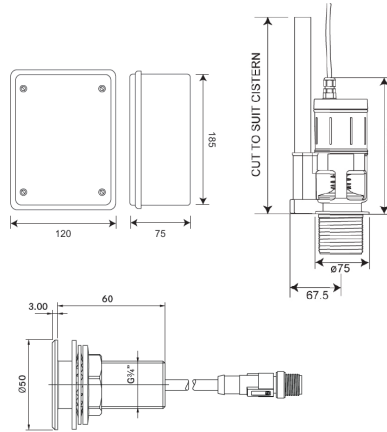


## KWC

### Battery flushvalve kit 1½” base - programmable sensor



#### WC03-052

Battery flushvalve kit - programmable sensor

The KWC DVS no-touch WC flushing system is an electronically operated drop valve which replaces the traditional syphon and delivers a measured volume of water from the cistern to the lavatory bowl.

#### Technical data - Flushvalve

Weight	1.05kg
Material	ABS plastic
Power supply	Through WC control box
Outlet size	1½”
Internal overflow	Yes
Type of operation	sensor operation or tactile button
Type of mounting	WC flushvalve
Functional principle	Electronic self-closing
Failsafe close	Yes

#### Technical data - Control box

Weight	1kg
Material	ABS plastic
Run times	0.25 - 6.75 seconds
Power source	Battery pack
IP rating	54
Amps	50Hz
Voltage	9V DC

#### Technical data - Wave-on sensor

Material	316 stainless steel
Surface finish	Brushed
Gross weight	0.2kg
Operation type	A.I.R (active infrared) touch-free
Overall dimensions	60mm (L) x Ø50mm
Thread diameter	Ø26.44mm (¾”BSP)
Type of mounting	Wall mounted (Ø27mm drill hole required)