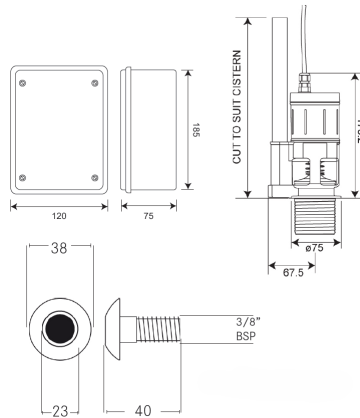


DELABIE | DVS

Battery flushvalve kit with standard sensor - 2" base



WC03-051

Battery flushvalve kit - 2" base

The DELABIE DVS Battery WC flushing system is a Wave-on Sensor operated drop valve which replaces the traditional syphon and delivers a WRAS Approved 4L single flush from the cistern to the lavatory bowl.

Technical data - Flushvalve

Weight	1.05kg
Material	ABS plastic
Power supply	Through WC control box
Outlet size	2"
Internal overflow	Yes
Type of operation	Sensor operation or tactile button
Type of mounting	WC flushvalve
Functional principle	Electronic self-closing
Failsafe close	Yes

Technical data - Control box

Weight	1kg
Material	ABS plastic
Run times	0.2 - 6.5 seconds
Power source	230V a.c.
IP rating	54
Amps	0.14A (MAX)
Voltage	9V DC

Technical data - Wave-on sensor

Material (sensor)	ABS
Material (bezel)	Chromium-plated brass
Gross weight	0.1kg
Overall dimensions	40mm (L) x Ø38mm
Thread diameter	Ø 3/8" BSP
Type of mounting	Wall mounted (Ø17mm drill hole required)
Operation type	A.I.R (active infrared) touch-free
Cable length	3m