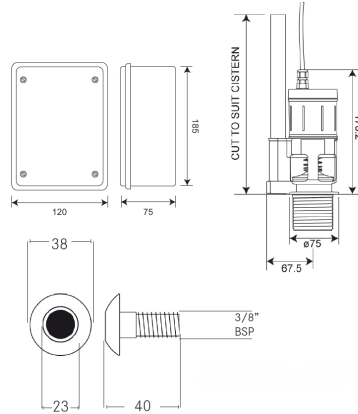


Battery WC flushvalve kit



WC03-050

Battery WC flushvalve kit

The DELABIE DVS Battery WC flushing system is a wave-on sensor operated drop valve which replaces the traditional syphon and delivers a WRAS approved, 4L single flush from the cistern to the lavatory bowl.

Technical data - flushvalve

Weight	1.05kg
Material	ABS plastic
Power supply	Through WC control box
Outlet size	1½"
Internal overflow	Yes
Type of operation	Sensor operation or tactile button
Type of mounting	WC flushvalve
Functional principle	Electronic self closing

Technical data - control box

Weight	1kg
Material	ABS plastic
Run times	0.2 - 6.5 seconds
Power source	6x C-Cell
IP rating	54
Amps	0.14A (max)
Voltage	9V DC
Functional principle	Electronic self closing

Technical data - wave-on sensor

Weight	0.1kg
Material	ABS (sensor) chromed brass (bezel)
Overall dimensions	40mm (L) x Ø38mm
Thread diameter	Ø 3/8" BSP
Type of mounting	Wall mounted (Ø17mm drill hole required)
Operation type	A.I.R (Active Infrared) touch-free
Cable length	3m