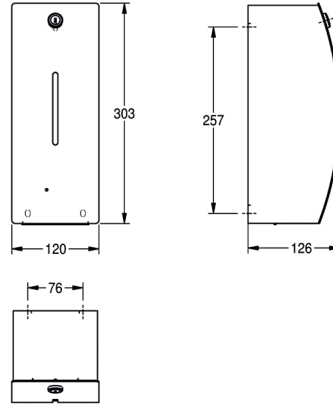


# DELABIE | DVS

## Electronic soap dispenser for wall mounting



### STR625

Electronic soap dispenser

STRATOS Touch free soap dispenser for wall mounting, stainless steel, surface satin finished, front with InoxPlus surface refinement for the reduction of finger marks and better cleaning characteristics (easy to clean), material thickness 1.5 mm, curved front cover, cylinder lock with KWC standard key, inspection window on front, infrared sensor activity for non-touch operation, red light shows battery status, includes 6 pcs.

1.5V Alkaline AA batteries, suitable for liquid soaps and lotions, 0.8 liter soap tank, depending on soap between 0.6 and 1.1 ml is dispensed, mounting height 300 mm above wash basin or table top, includes stainless steel screws and dowels.

### Technical data

Filling quantity	800
Filling quantity uom	ml
Lock	Key-lock
Material	Stainless steel
Material code	1.4301 chrome nickel steel
Material thickness	1.5mm
Number of batteries	6
Overall depth	126mm
Overall height	303mm
Overall width	120mm
Surface finish	Satin finish
Surface treatment	InoxPlus (anti fingerprint)
Type of batteries	AA Mignon battery 1.5V
Type of consumable	Liquid soap
Type of fixing	Screw
Type of mounting	Wall mounting
Type of operation	Sensor operation
Type of soap container	Integrated refillable tank

## KWC

Electronic soap dispenser for wall mounting

### Consumables



### Consumables

**SO1LP**

Liquid soap



### Consumables

**SO10L**

Liquid soap