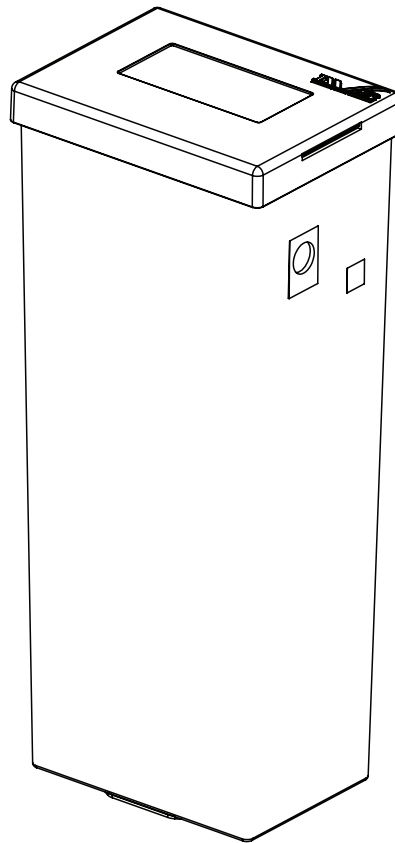


KWC DVS

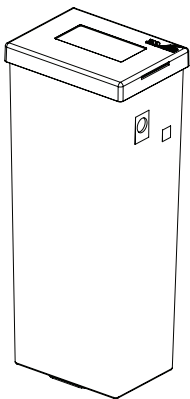
Vertical Tall Cistern with Bracket

Installation instructions

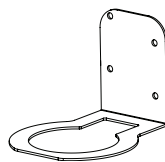


Parts

Parts* required for Vertical Tall Cistern installation:



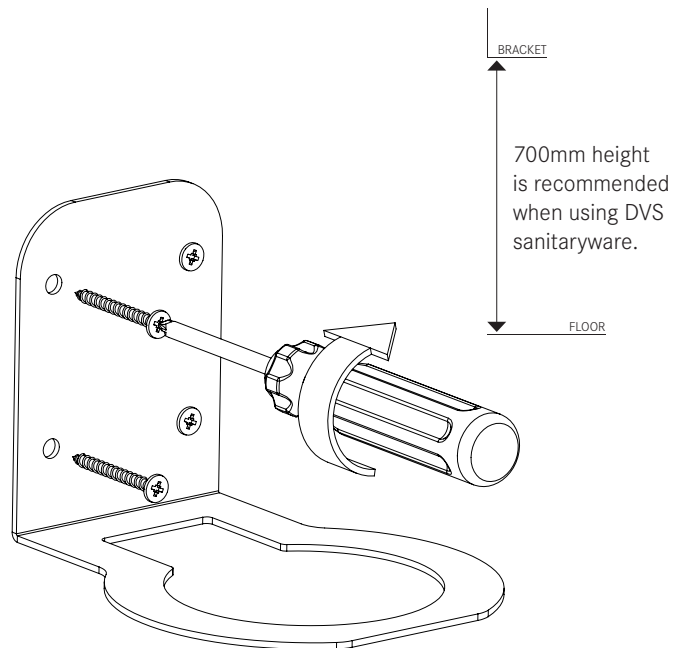
WC02-003
Tall Cistern 1½"
or
WC02-004
Tall Cistern 2"



WC00-131
Steel cistern
bracket

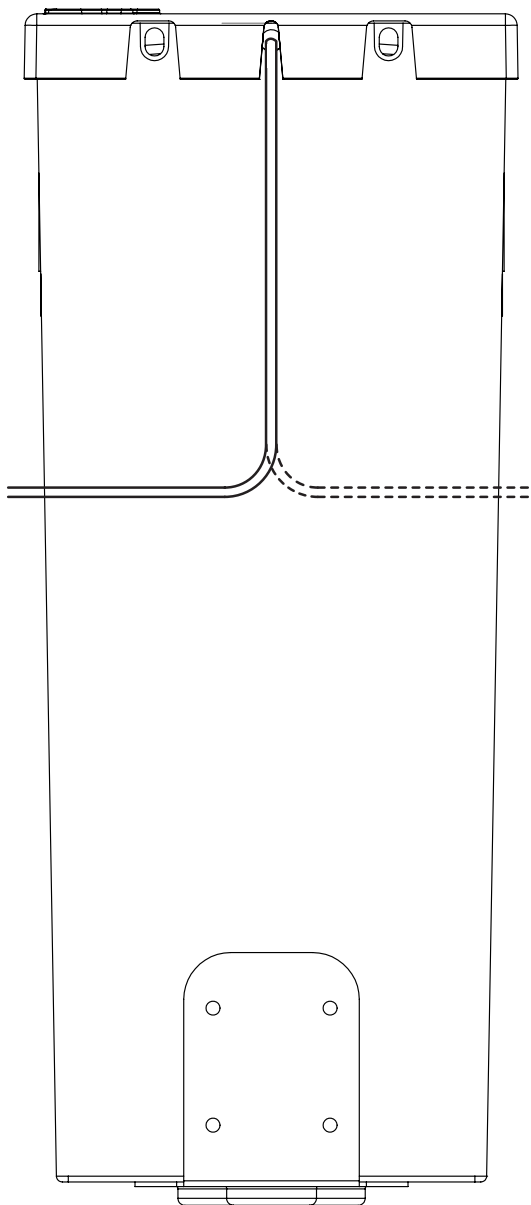
*not to scale

Step 1



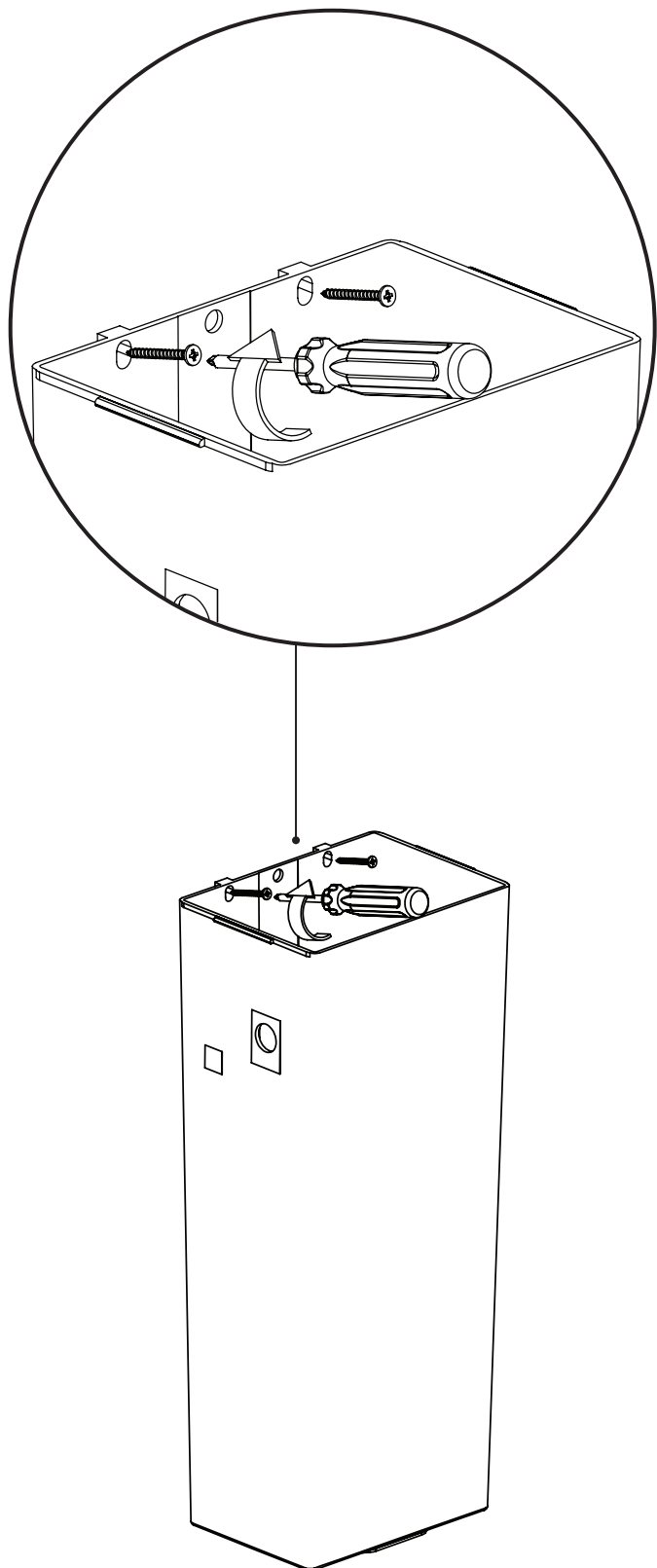
Mark and fix the cistern bracket to the appropriate height using suitable fixings (not supplied).

Step 2



Position the base of the cistern on to the bracket fixed in the previous step, now ensure the flushvalve cable trails downwards **only** and exiting to the left or right (as above).

Step 3



Mark through the 2 outer pre-drilled holes located in the back of the cistern, now secure using suitable fixings (not supplied).