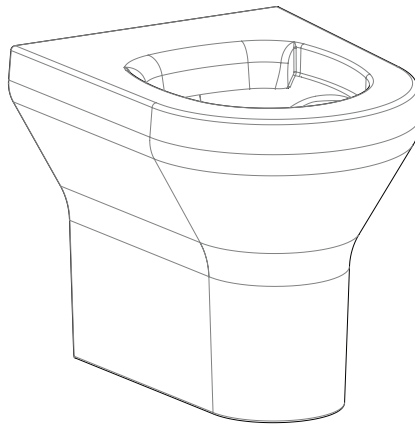
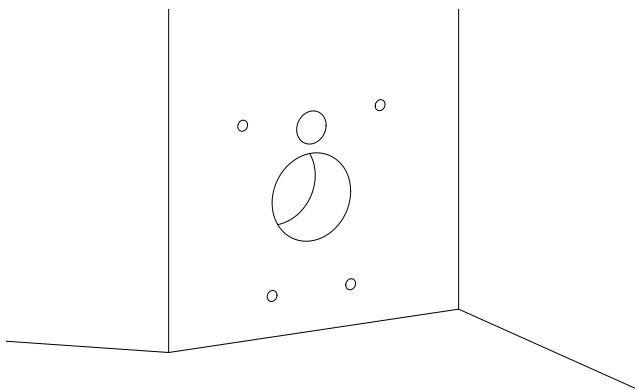


## Safe Ensuite High Security Back-to-Wall WC Pan with Coloured Top Installation instructions

VR01-034 - Blue Top  
VR01-035 - Blue Top (Disabled)  
VR01-071 - Grey Top  
VR01-072 - Grey Top (Disabled)  
VR01-074 - Red Top  
VR01-075 - Red Top (Disabled)

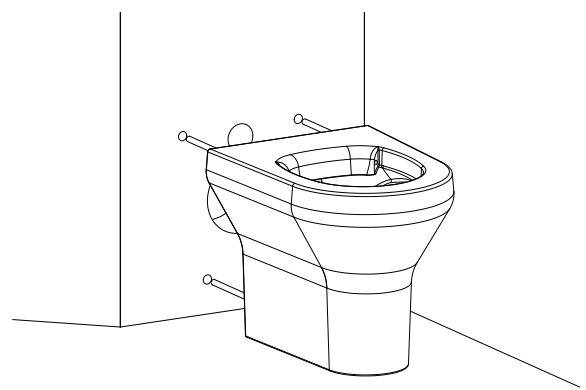


### Step 1



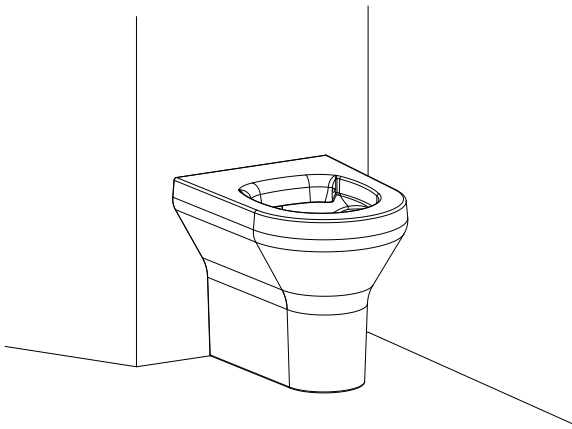
Use the drilling template provided mark and drill holes for the inlet, waste and fixing studding.

### Step 2



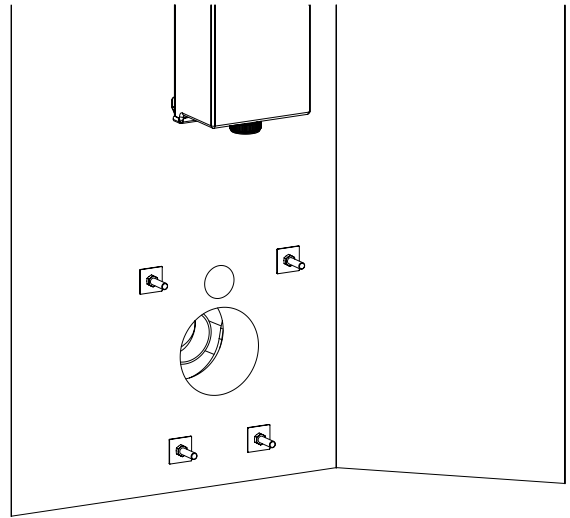
Screw the M12 studding into the back of the pan as far as possible. Make sure a flush pipe cone and outlet connector is fitted in the back of the pan. Align the pan with fixing holes.

### Step 3



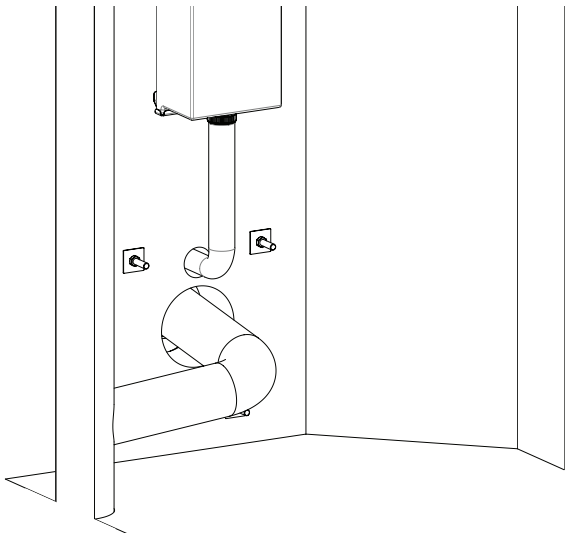
Place the pan against the wall so all the fixing studs protrude through into the service duct.

### Step 4



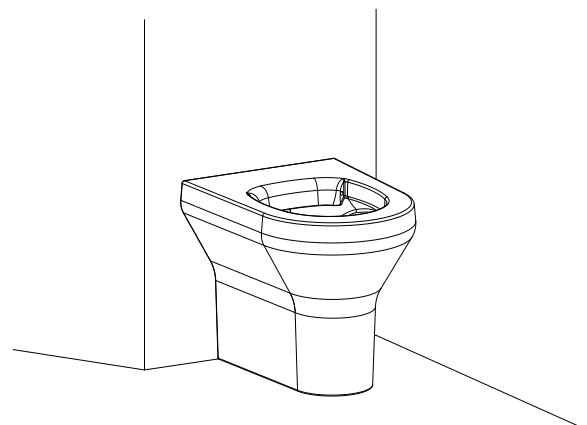
Secure the pan to the wall using the nuts and washers supplied- tighten using a torque wrench to 22-24 Nm.

### Step 5



Connections to the WC flush pipe and soil pipes are conventional.

### Step 6



Depending on the local site requirements, anti-pick or silicone sealant can be used around the edges for finishing off.