

Step 6 : Remove protective film

Once adhesives and anti-pick are dry remove protective film from the mirror to complete the installation.

IMPORTANT: Do not use sharp or abrasive objects to remove protective film.

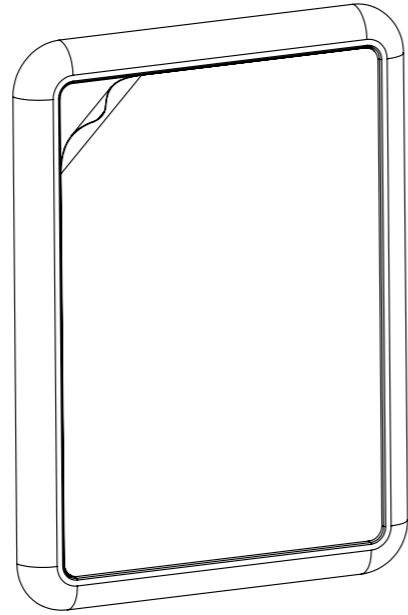


Fig 2

Warranty & Contact

Warranty

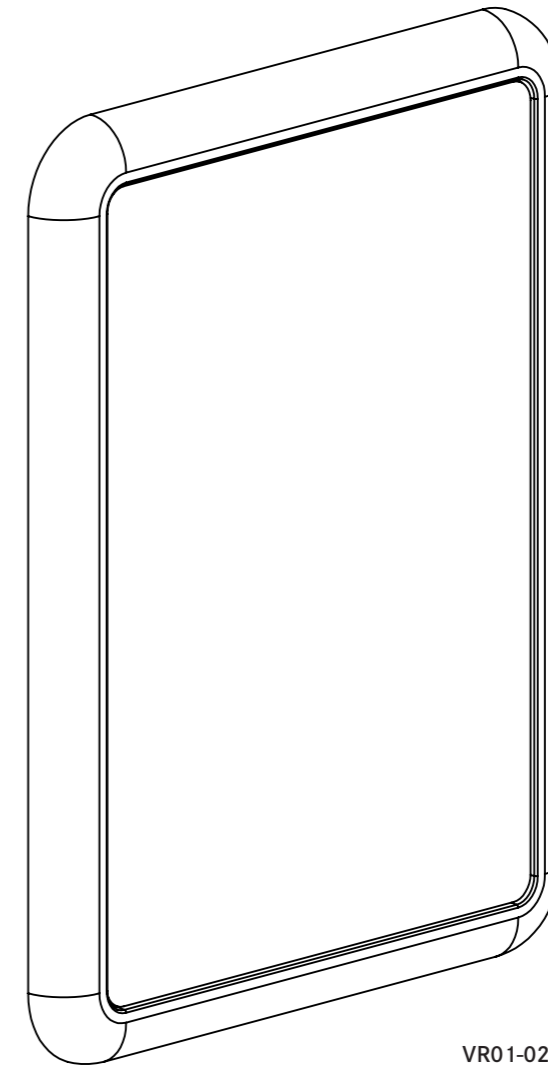
The Safe Ensuite Mirror product is guaranteed for 5 years from purchase against defective material and assembly.

Support

For technical support please visit our technical pages on our website at www.dartvalley.co.uk, contact us by email at tkwcdvsechsupport@kwc.com or alternatively call us direct on 01803 529021.

KWC DVS

Safe Ensuite Mirror Installation Instructions



VR01-025

Step 1 : Safety First

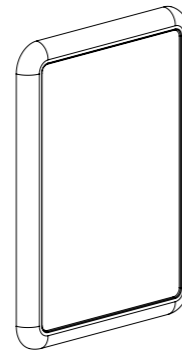
These instructions relate to the installation of the Safe Ensuite Mirror only, any external or 'add-on' parts will be supplied with separate instructions.

IMPORTANT : Please read these instructions carefully and follow each stage in order!



Step 2 : Parts

Your kit will comprise of the parts below:



1x SE Mirror
(VR01-025)

*Not to scale

1x Instruction Manual

Step 3 : Applying the adhesive

A structural adhesive is required which is the sole securing means for this product.

It may be that certain anti-pick adhesives have sufficient bonding characteristics to use as adhesive and sealant.

High Tack Bonding Adhesive (VR00-010) is used on some applications and suits the following plastics:

- ABS Acrylics (PMMA)
- Polyester (PBT, PET)
- Vinyls (PVC)
- Polyurethanes

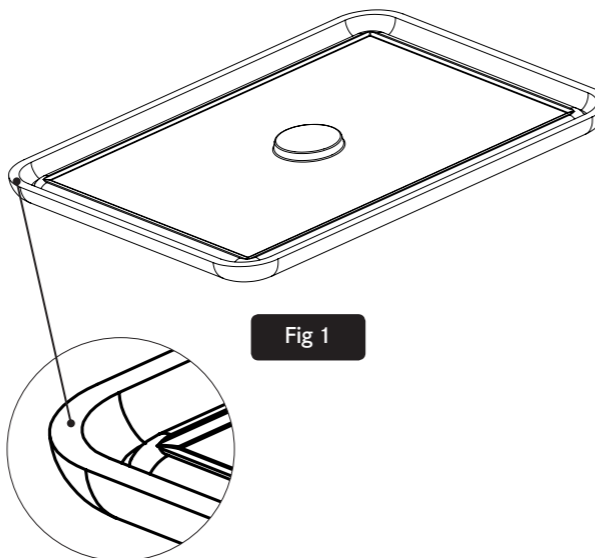
And the following composites:

- Fibreglass
- Gelcoats
- SMC Phenolics
- Laminates RTM.

Apply adhesive to the complete outer edge (as illustrated in Fig.1 opposite).

High Tack Bonding Adhesive working time: 10 mins
High Tack Bonding Adhesive fixture time: 24 hours

High Tack Bonding Adhesive (VR00-010)



Important: Be sure to leave protective film on until final stage to protect the mirror from adhesives and anti-pick.

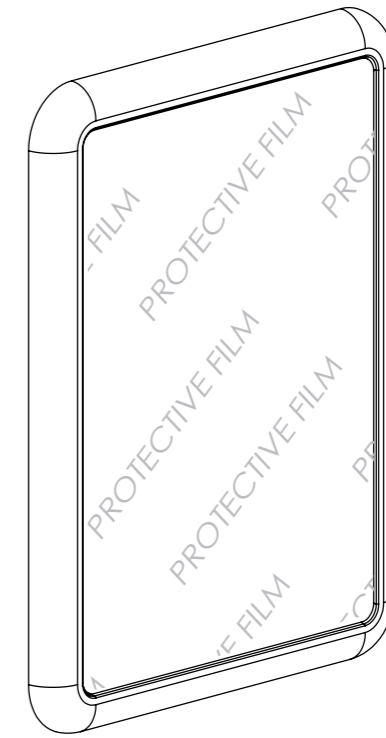
Step 4 : Mounting the mirror

Push the mirror against the wall and check that its level.

To provide a suitable bond, the gap depth of bonding material should be 1 mm to 2mm after compressing.

Immediately clean the excess adhesive off the wall. Make sure the dish is level and leave to dry.

Note: It is recommended that panel pins are used for the mirror frame to sit on whilst the structural adhesive sets, then remove pins. This ensures that the mirror maintains its original position.



Step 5 : Applying the anti-pick

Once the adhesive is dry, complete the installation by finishing with anti-pick sealant around the full perimeter of the dish.

This ensures no ligature gaps and adds extra support strength.

Depending on the local site requirements, anti-pick or silicone sealant can be used.

Important: Be sure to leave protective film on until final stage to protect the mirror from adhesives and anti-pick.

