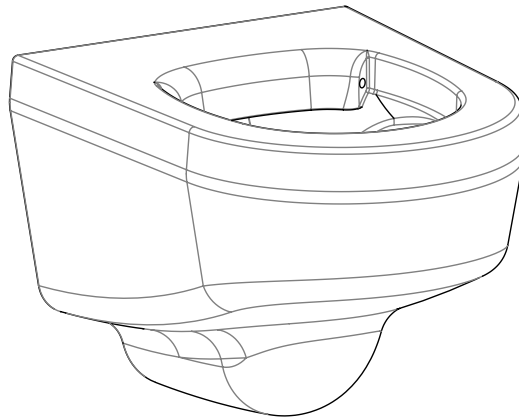


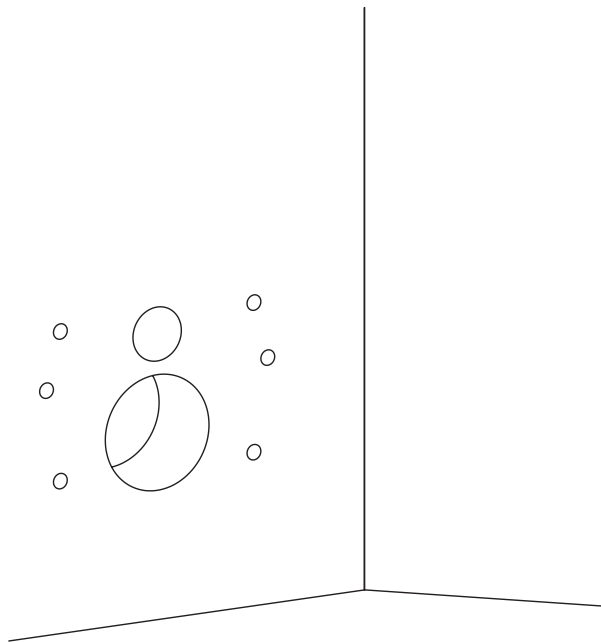
## Safe Ensuite High Security Wall Hung WC Pan

### Installation instructions

VR01-017 WH Pan  
VR01-036 WH Pan - Blue Top

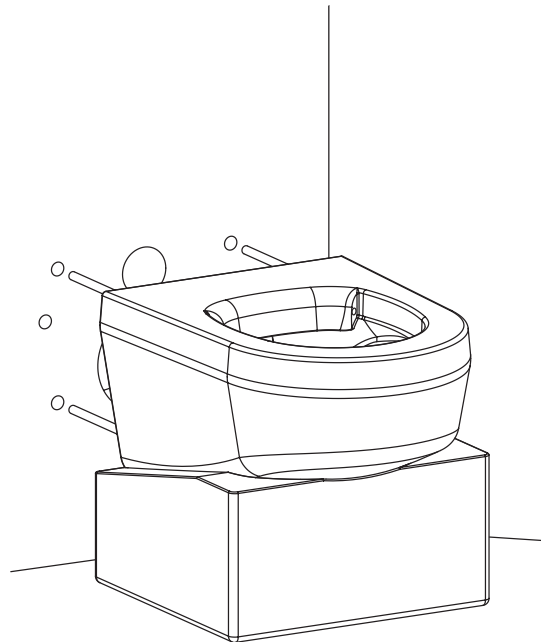


#### Step 1



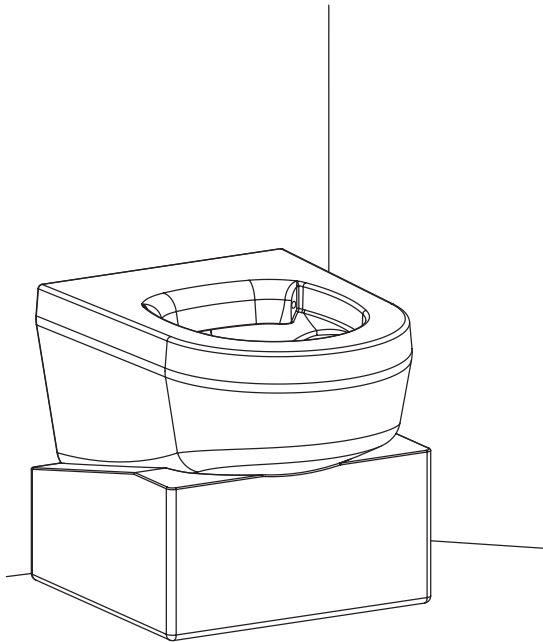
Use the drilling template provided, mark and drill holes for the inlet, waste and fixing studding. For disabled use, raise hole heights an additional 60mm.

#### Step 2



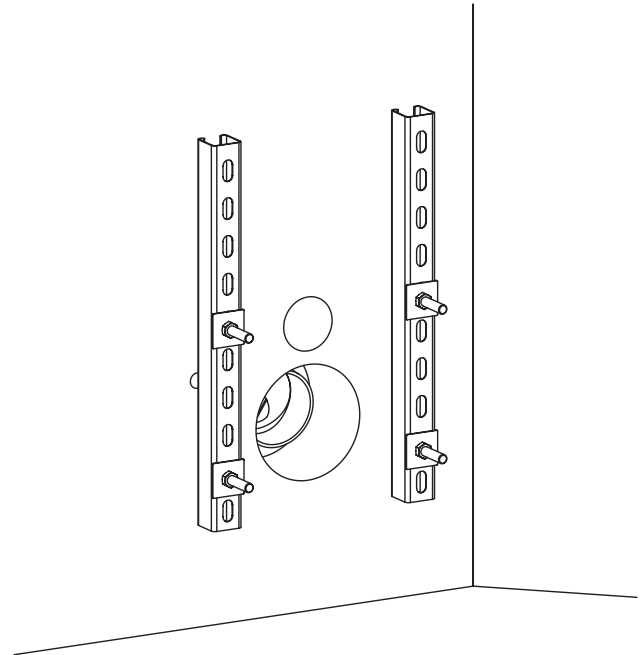
Screw the M12 studding into the back of the pan as far as possible. Make sure a flush pipe cone and outlet connector is fitted in the back of the pan. The cradle can be used to support the pan. Align the pan with fixing holes.

### Step 3



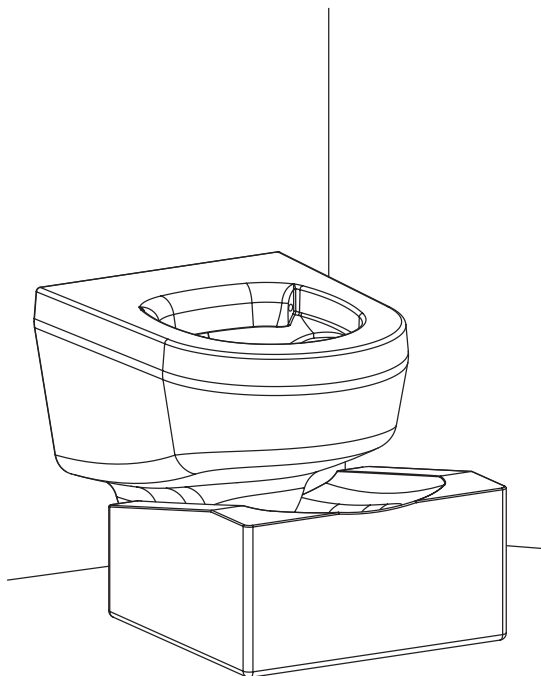
Using the cradle, slide the pan in to place against the wall so all the fixing studs protrude through in to the service duct.

### Step 4



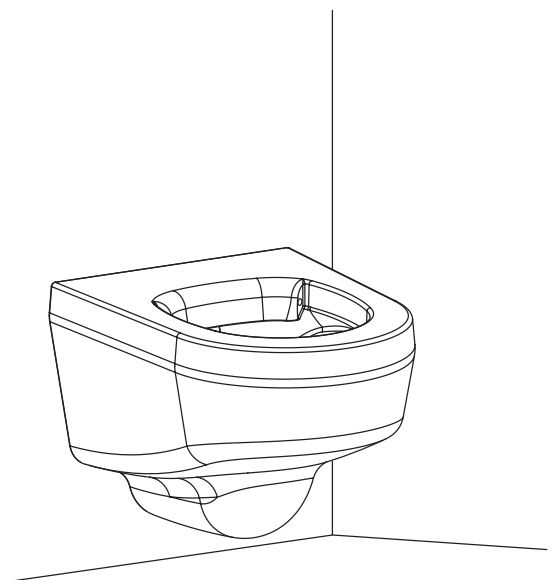
Secure the pan using the nuts and washers supplied- tighten using a torque wrench to 22-24 Nm. Connections to the WC flush pipe and soil pipes are conventional.

### Step 5



Remove the cradle.

### Step 6



Depending on the local site requirements, anti-pick or silicone sealant can be used around the edges for finishing off.