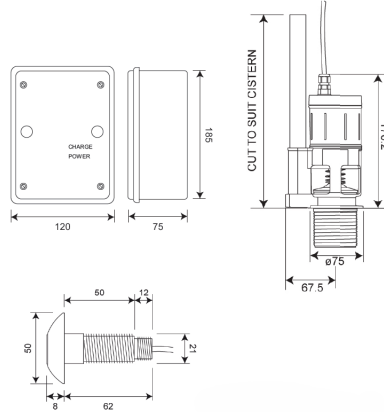


KWC

WC flushvalve kit with in-built overflow - 1½" base



WC03-022

Flushvalve with in-built overflow & anti-vandal wave-on sensor

The KWC DVS no-touch WC flushing system is an electronically operated drop valve which replaces the traditional syphon and delivers a WRAS Approved 4L single flush from the cistern to the lavatory bowl.

Technical data - Flushvalve

Weight	1.05kg
Material	ABS plastic
Power supply	Through WC control box
Outlet size	1½"
Internal overflow	Yes
Type of operation	Sensor operation or tactile button
Type of mounting	WC flushvalve
Functional principle	Electronic self-closing
Failsafe close	Yes

Technical data - Control box

Weight	1kg
Material	ABS plastic
Run times	0.25 - 6.75 seconds
Power source	230V a.c.
IP rating	54
Amps	0.07A (MAX)
Frequency	50Hz
Voltage	230V a.c.

Technical data - Wave-on sensor

Material	Stainless steel
Surface finish	Brushed
Gross weight	0.2kg
Overall dimensions	70mm (L) x Ø50mm
Thread diameter	Ø21mm (½" BSP)
Type of mounting	Wall mounted (Ø22mm drill hole required)
Operation type	Tactile switch
Cable length	3m