

WC FLUSHVALVE KIT 2"

WC03-003

The DVS no-touch WC flushing system is an electronically operated drop valve which replaces the traditional syphon and delivers a WRAS Approved 4L single flush from the cistern to the lavatory bowl.

PRODUCT NUMBER

WC03-003 WC Flushvalve Kit

TECHNICAL DATA

Flushvalve:

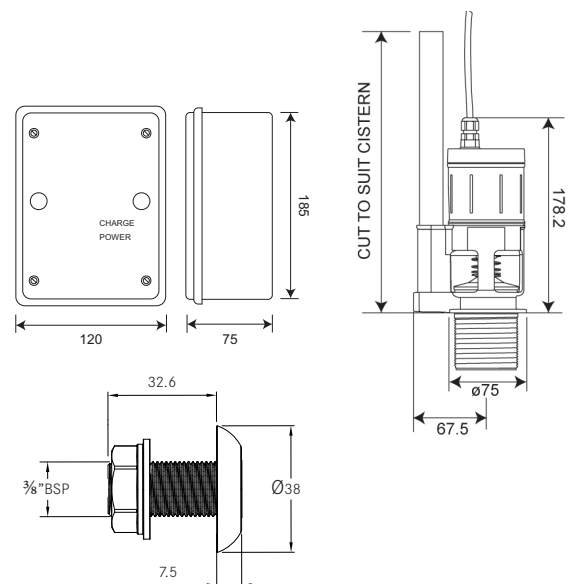
Weight	1.05 kg
Material	ABS Plastic
Power supply	Through WC control box
Fixing size	Ø2"
Internal overflow	Yes
Type of operation	Sensor operation or Tactile button
Type of mounting	WC flush valve
Functional principle	Electronic self closing
Failsafe close	Yes

Control Box:

Weight	1 kg
Material	ABS Plastic
Run Times	0.25 - 6.75 seconds
Power source	230V a.c.
IP rating	54
Amps	0.07A (MAX)
Frequency	50Hz
Voltage	230 V.a.c.

Wave On Sensor:

Material	Chromed brass
Surface finish	Polished
Gross weight	0.2 kg
Overall dimensions	40.1 mm (L) x Ø38mm
Thread diameter	Ø16.66mm (¾" BSP)
Type of mounting	Wall mounted (Ø18mm drill hole required)
Operation type	A.I.R (Active Infrared) touch-free
Cable length	3m
Adjustable settings	Dictated by control box or programmable sensor & remote



ALL DIMENSIONS IN MM

2016-09-21, Dart Valley Systems

