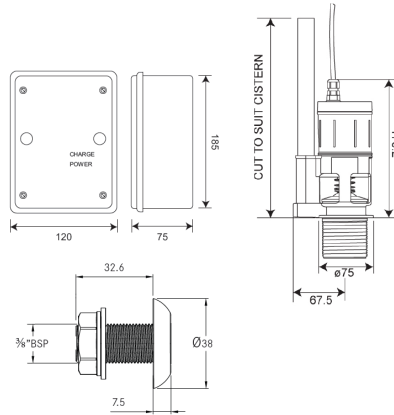


DELABIE | DVS

Standard WC flushvalve kit with wave-on sensor



WC03-002

Flushvalve kit 1 1/2" base

The DELABIE DVS no-touch WC flushing system is an electronically operated drop valve which replaces the traditional syphon and delivers a WRAS Approved 4L single flush from the cistern to the lavatory bowl.

Technical data - Flushvalve

Weight	1.05kg
Material	ABS plastic
Power supply	Through WC control box
Fixing size	Ø1½" standard
Internal overflow	Yes
Type of operation	Sensor operation or tactile button
Type of mounting	WC flushvalve
Functional principle	Electronic self-closing
Failsafe close	Yes

Technical data - Control box

Weight	1kg
Material	ABS plastic
Run times	0.25 - 6.75 seconds
Power source	230V a.c.
IP rating	54
Amps	0.07A (MAX)
Voltage	230V a.c.
Frequency	50Hz

Technical data - Wave-on sensor

Material	Chromium-plated brass
Surface finish	Polished
Gross weight	0.2kg
Overall diameter	3/8 Ø BSP
Thread diameter	Ø16.66mm (3/8" BSP)
Type of mounting	Wall mounted (Ø18mm drill hole required)
Operation type	A.I.R (active infrared) touch-free
Cable length	3m
Adjustable settings	Dictated by control box or programmable sensor & remote