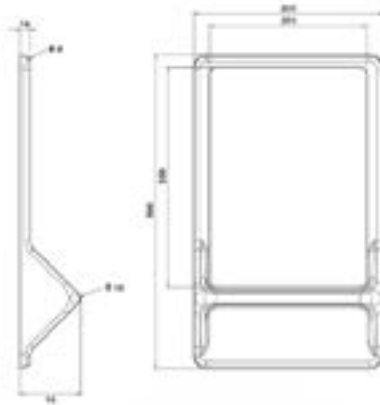


High security mirror



VR01-037

High security mirror with moulded frame and shelf

Safe Ensuite Mirror with Moulded Frame and Shelf, Impact resistant frame & mirror glass, suitable for custodial, healthcare and mental healthcare applications.

Technical data

Material	High performance composite material / polycarbonate
Gross weight	3.25kg
Frame dimensions	500mm (h) x 300mm (w)
Mirror insert dimensions	350mm (h) x 250mm (w) x 3mm (d)
Type of mounting	

Orientation

