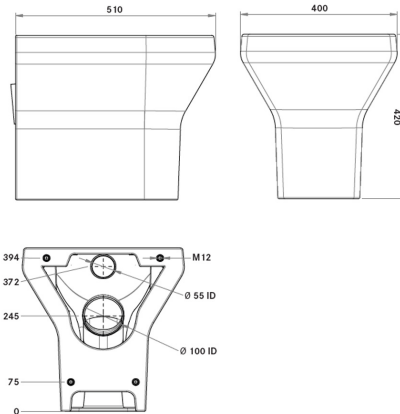


KWC

High security ligature resistant toilet



VR01-010

High security ligature resistant toilet

High Security WC Pan; water efficient 4 litre flush, domestic aesthetic, moulded impact resistant construction, vandal and ligature resistant, suitable for mental healthcare, healthcare and custodial applications. Available in 2 heights; standard or disabled.

Technical data

Material	High performance composite material
Gross weight	16.8kg
Overall dimensions	510mm (d) x 400mm (w) x 420mm (h)
Type of mounting	Thru-wall 4 x 12mm stainless steel allthread studding (incl.)
Flush inlet	Ø55mm
Waste outlet	Ø100mm
Single flush volume	4L

Additional features

Hygienic non-porous surface
Concealed rear waste outlet
Large trap to reduce blockages
Warm to touch surface, eliminates 'icy shock'
Fixing kit for walls up to 250mm thick provided, optional kits available