

# WAVE-ON SENSOR FOR BACKPLATES

With Blue Indication Insert

VR00-001

Wave-on sensor for backplates with blue insert. Stainless Steel. Brushed finish, complete with 3m cable length.

---

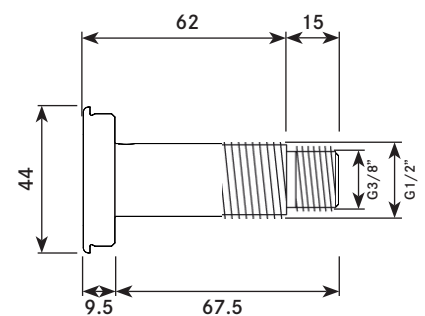
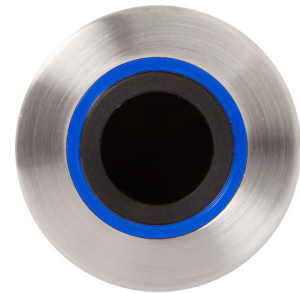
## PRODUCT NUMBER

VR00-001

---

## TECHNICAL DATA

Material	Stainless Steel
Surface finish	Brushed
Gross weight	0.2 kg
Overall dimensions	77mm (L) x Ø44mm
Thread diameter	Ø21mm / Ø16.7mm
Type of mounting	Wall mounted (on backplate)
Operation type	A.I.R (Active Infrared) touch-free
Cable length	3m
Adjustable settings	Dictated by control box used



ALL DIMENSIONS IN MM

Last updated:  
2018-01-03, Dart Valley Systems