

30° HIGH SECURITY SHOWER HEAD

With Anti-Microbial One-Piece Outlet & 200mm Brass Extension

SH07-066

30° High Security Shower Head with a one-piece Anti-Microbial ABS outlet.
Anti-ligature design, with a tamper proof security locking screw & Anti-rotation pins.
Brushed Stainless Steel finish.

PRODUCT NUMBER

SH07-066

TECHNICAL DATA

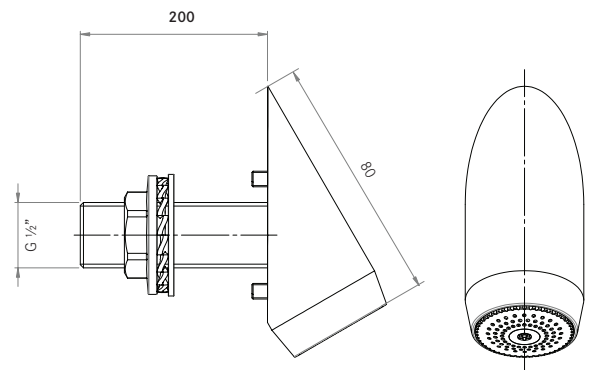
Shower head

Type	Spray shower head
Material	316 Stainless Steel
Surface finish	Brushed
Gross weight	0.40kg
Operation type	Separate sensor
Type of mounting	Wall mounted 200mm 1/2" BSP thread - Other lengths available

Type of mixing	Additional TMV required
Spout projection	23mm
Minimum flow pressure	1 BAR
Water connection	Copper pipe via standard compression fitting
Other features	Security locking screw

Shower head rose

Material	ABS
Rose type	4 piece set supplied
Hole diameter	Set Includes: 0.7, 0.8, 0.9, & 1.0mm hole size variants
Number of holes	72



ALL DIMENSIONS IN MM

Last updated:
2021-02-22, Dart Valley Systems