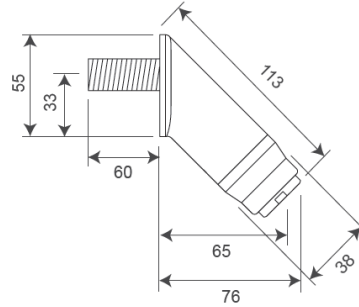


## KWC

### 45° High-security bath spout



#### SH07-043

45° High-security bath spout

45° High-security Bath Spout. Ligature-resistant design, complete with unrestricted aerator. Anti-rotation pins. Brushed Stainless Steel finish.

#### Technical data - Shower head

Type	Bath filling spout
Material	316 stainless steel
Surface finish	Brushed
Gross weight	0.7kg
Operation type	Separate sensor
Type of mounting	Wall mounted 3/4" BSP thread (longer threads available)
Type of mixing	Additional TMV required (available separately)
Spout projection	76mm
Minimum flow pressure	1 bar
Water connection	Copper pipe via standard compression fitting

#### Technical data - Aerator

Material	Plastic
Flow rate (LPM)	Unrestricted