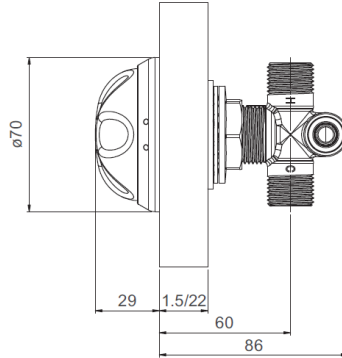


## KWC

### Temperature blending valve adjuster



#### SH00-011

Temperature blending valve adjuster

In many public areas supplying water at 41°C is sufficient. If however, the requirement is to provide 41°C with user adjustment between this temperature and cold (determined by the cold input temperature), The temperature blending valve adjuster can be used to accommodate this facility. The blender adjuster is Ligature Resistant and Anti-Tamper with Robust Construction whilst retaining an Aesthetically pleasing design.

#### Technical data

Material - body

Chromium-plated brass

Material - fittings

DZR brass

Surface finish

Chromed finish

Weight

0.9kg

Wall thickness compatibility

1.5mm - 22mm

Type of operation

Manual

Water connection

Brass ½" BSP connection