

AQUARIUS HIGH NECK SV

Brushed with PEX Hose

AT07-053

The Aquarius range incorporate simple and modern design
Seperate sensor operated for maximum hygiene and efficiency. 5 litres per minute integrated flow control.
Single mixed feed connection by PEX lined hose (15mm connection). External TMV required.
Brushed finish.

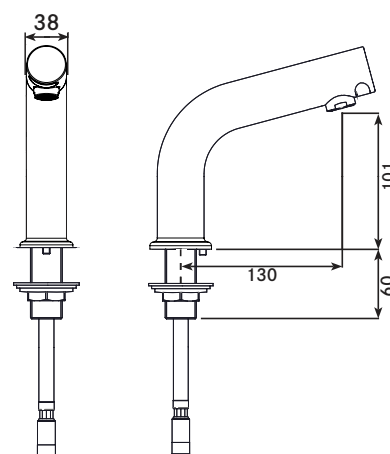
Requires a Station kit to operate. Station kits available in Single Station Battery or Mains Single Station, 2 Station or 3 Station for multiple connections. Refer to Station kit Data sheets.

PRODUCT NUMBER

AT07-053	Brushed	Aquarius High Neck SV no touch tap - No electronics
----------	---------	---

TECHNICAL DATA

Type of tap	Aquarius High Neck SV
Type of operation	Seperate sensor required
Material	316 Stainless Steel
Surface finish	Brushed
Gross weight	1.25 kg
Type of mounting	Deck mounted
Type of mixing	Additional TMV may be required
Spout projection / Spout height	130mm / 101mm
Minimum flow pressure	1.00 bar (Lower pressure station kits available)
Water connection	15mm PEX hose
Volume flow rate at 3 bar	5LPM (Other flow rates available)
Working pressure	1-10 Bar (For Low / High pressure, Contact DVS.)
Max working temperature	60°C
Fixing	¾" BSP
Fixing length	Up to 50mm with flange nut



ALL DIMENSIONS IN MM

Last Updated: 2015-11-24, Dart Valley Systems