

CLASSIC TAP - No Electronics

Chromed with PEX Hose

AT07-050

The Classic range incorporate a simple and elegant design. Seperate sensor operated for maximum hygiene and efficiency. 5 litres per minute integrated flow control. (Standard 5LPM, Other flow rates available) Single mixed feed connection by PEX lined hose (15mm connection). External TMV required. Chrome finish.

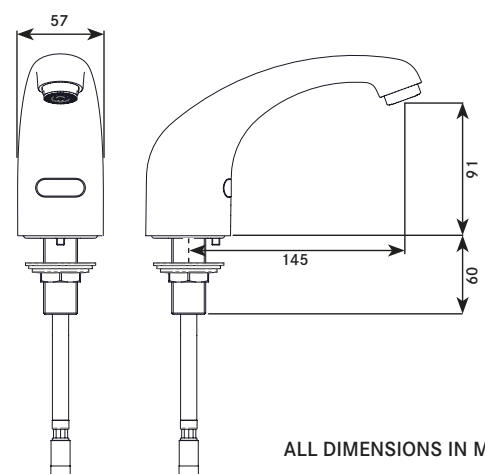
Requires a Station kit to operate. Station kits available in Single Station Battery or Mains Single Station, 2 Station or 3 Station for multiple connections. Refer to Station kit Data sheets.

PRODUCT NUMBER

AT01-050	Chromed	Classic no touch tap
----------	---------	----------------------

TECHNICAL DATA

Type of tap	Classic
Material	Brass
Surface finish	Chromed
Gross weight	1.4 kg
Type of operation	Seperate sensor
Type of mounting	Deck mounted
Type of mixing	Additional TMV may be required
Spout projection	145mm
Minimum flow pressure	1.00 bar (Lower pressure station kits available)
Water connection	15mm PEX hose
Volume flow rate at 3 bar	5LPM (Other flow rates available)
Working pressure	1-10 Bar (For Low / High pressure, Contact DVS.)
Max working temperature	60°C
Fixing	¾" BSP
Fixing length	Up to 50mm with flange nut



ALL DIMENSIONS IN MM

Last Updated: 2015-11-20, Dart Valley Systems