

# 45° HIGH SECURITY TAP SPOUT

## AT07-043

45° High Security tap spout with WRAS approved 5 LPM outlet. Anti-ligature design. Anti-rotation pins. Brushed 316 Stainless Steel finish and 200mm DZR Brass BSP connection.

### PRODUCT NUMBER

AT07-043

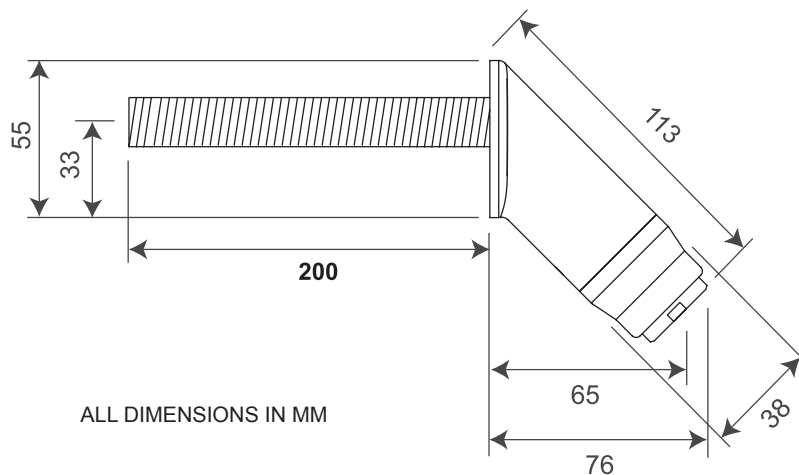
### TECHNICAL DATA

Tap spout

Type	Tap spout
Material	316 Stainless Steel body
Surface finish	Brushed
Gross weight	0.50kg
Operation type	Separate sensor
Type of mounting	Wall mounted $\text{\O}3/4"$ DZR brass BSP thread
Type of mixing	Additional TMV required
Spout projection	76mm
Minimum flow pressure	1 BAR
Water connection	$\text{\O}3/4"$ DZR Brass BSP

Tap spout outlet

Flow rate 5 LPM



Last updated:  
2016-10-05, Dart Valley Systems