

# HIGH SECURITY 30° WM TAP SPOUT

## AT07-042

High Security 30° Tap Spout

Anti-ligature design, with a tamper proof security locking screw & Anti-rotation pins.

### PRODUCT NUMBER

AT07-042

### TECHNICAL DATA

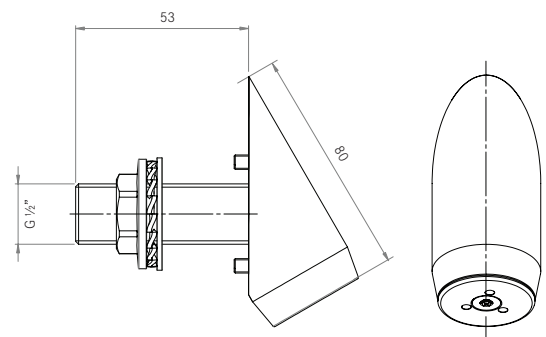
#### Tap Spout

Material	316 Stainless Steel
Surface finish	Brushed
Gross weight	0.40kg
Operation type	Separate sensor
Type of mounting	Wall mounted 53mm 1/2" BSP thread - Other lengths available

Type of mixing	Additional TMV required
Spout projection	23mm
Minimum flow pressure	1 BAR
Water connection	Copper pipe via standard compression fitting
Other features	Security locking screw

#### Tap Outlet Insert

Material	316 Stainless Steel
Hole diameter	3.2mm
Number of holes	3



ALL DIMENSIONS IN MM

Last updated:  
2019-04-03, Dart Valley Systems