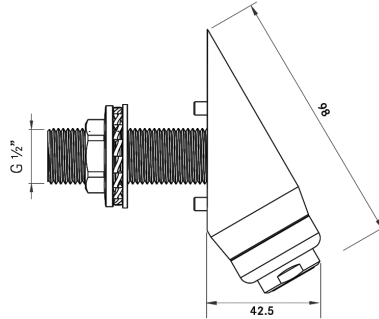


## 30° High security tap spout

Model line: SAFE ENSUITE | **AT07-041**



### **AT07-041**

30° High Security tap spout

30° High Security Tap Spout with WRAS approved 5 LPM outlet. Anti-ligature design. Antirotation pins. Brushed 316 Stainless Steel finish and DZR Brass BSP connection.

### **Technical data**

Material	316 Stainless Steel
Gross weight	0.45kg
Type of tap	45° High Security tap spout
Type of mounting	Wall mounted Ø¾" DZR brass BSP thread
Surface finish	Brushed
Type of operation	Separate sensor
Type of mixing	Additional TMV may be required
Spout projection	42.5mm
Water connection	Ø½" DZR Brass BSP
Minimum flow pressure	1.00 bar
Flow rate	5 LPM