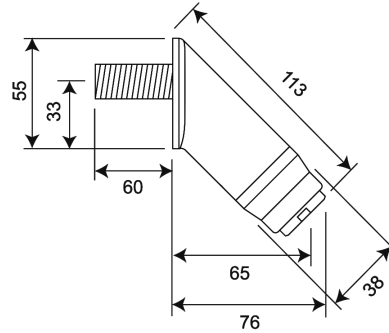


KWC

45° High security tap spout

Model line: SAFE ENSUITE | **AT07-040**



AT07-040

45° High Security tap spout

45° High Security tap spout with WRAS approved 5 LPM outlet. Anti-ligature design. Antirotation pins. Brushed 316 Stainless Steel finish and DZR Brass BSP connection.

Technical data

Material	316 Stainless Steel
Gross weight	0.45kg
Type of tap	45° High Security tap spout
Type of mounting	Wall mounted Ø¾" DZR brass BSP thread
Surface finish	Brushed
Type of operation	Separate sensor
Type of mixing	Additional TMV may be required
Spout projection	76mm
Water connection	Ø¾" DZR Brass BSP
Spout projection	76mm
Minimum flow pressure	1.00 bar
Flow rate	5 LPM